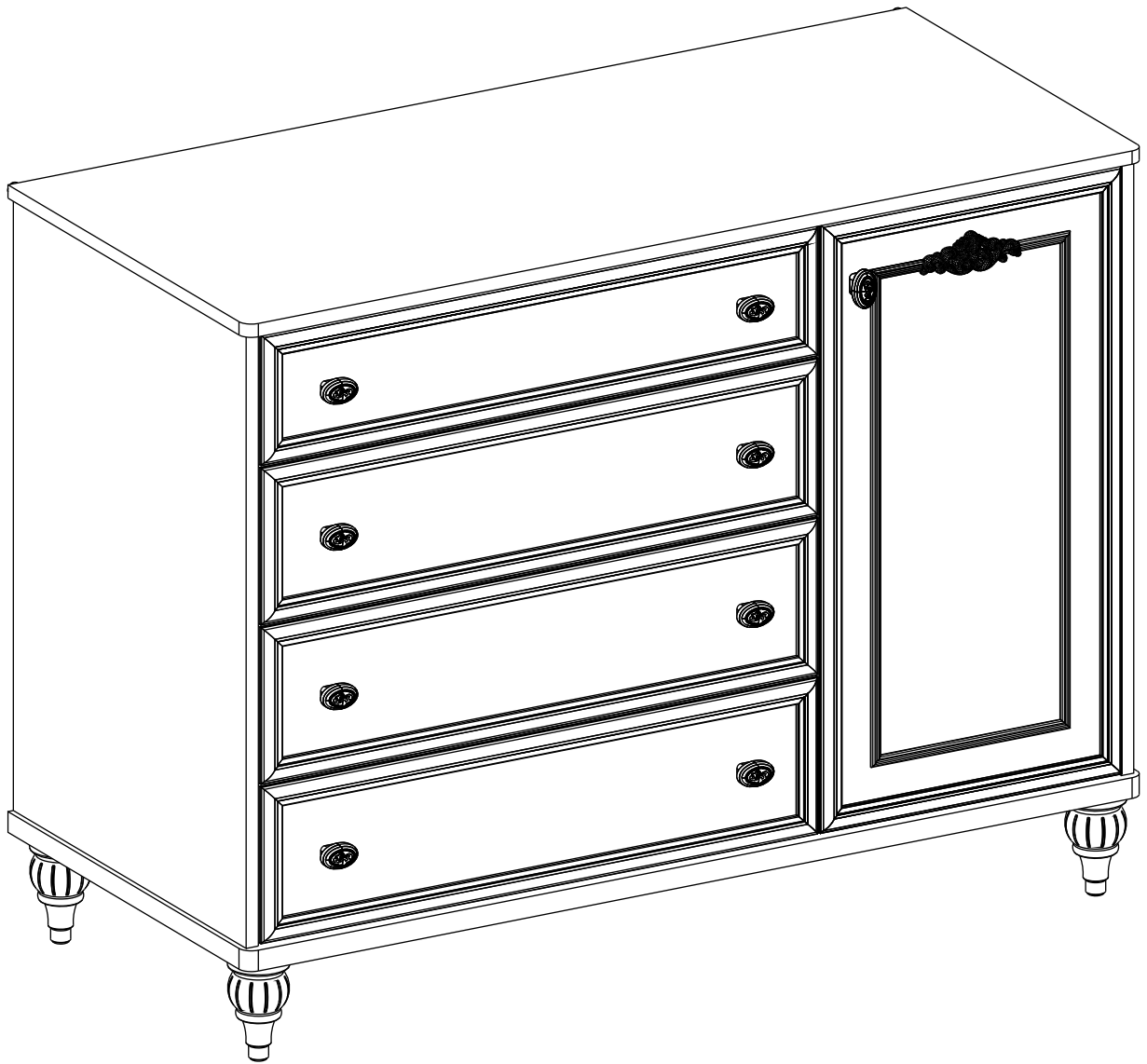
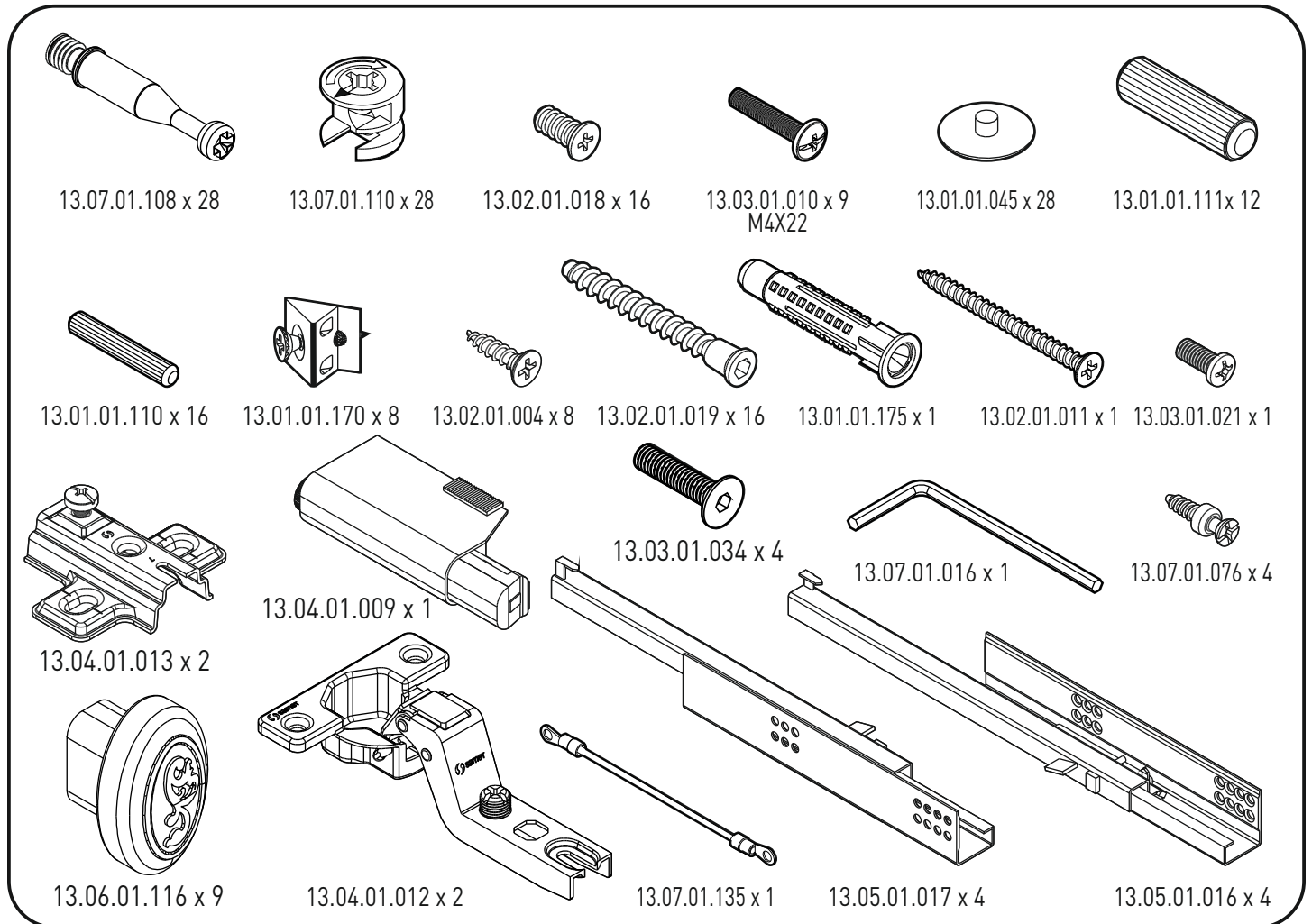
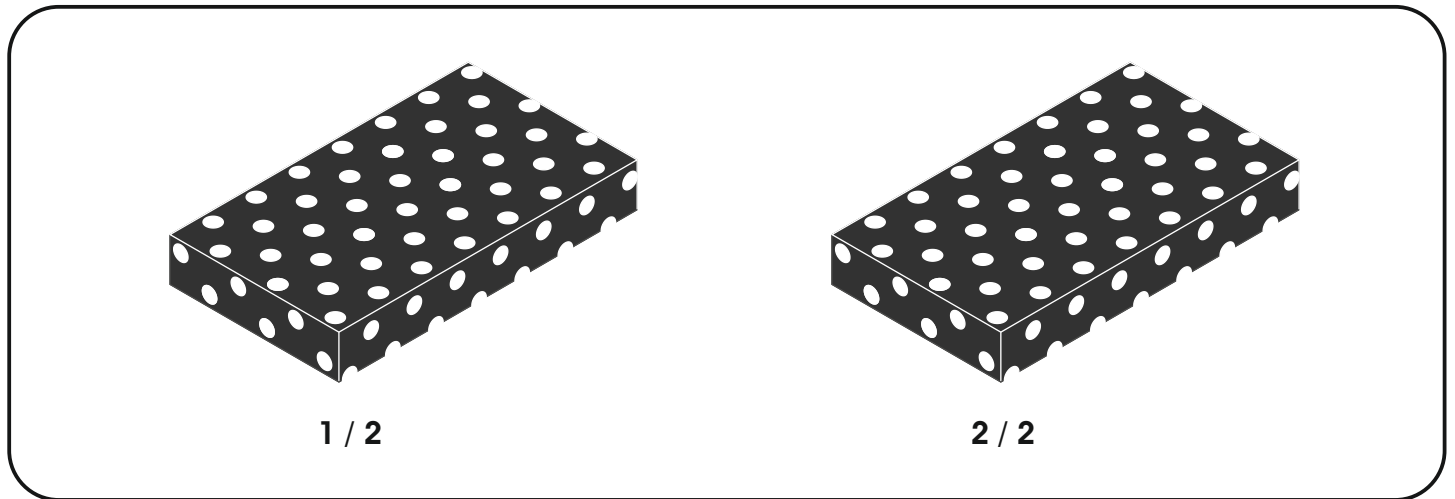
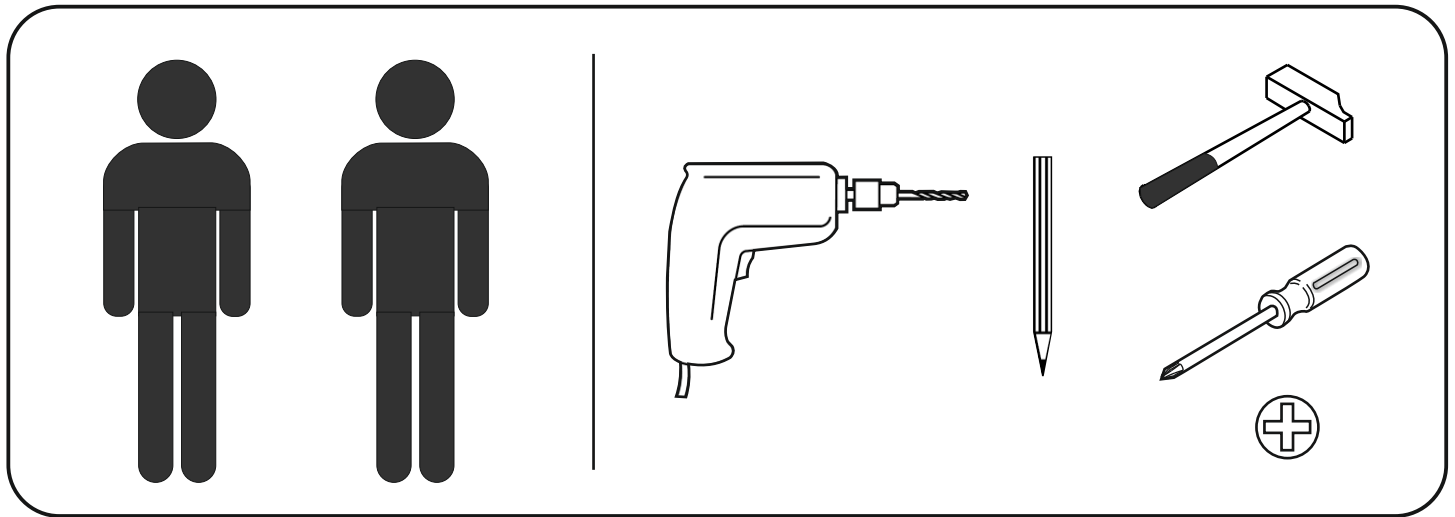
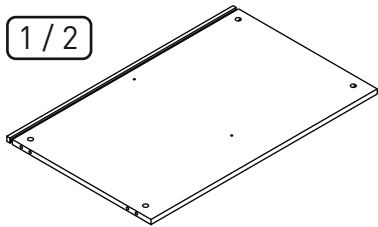


**20.21.1204.00**

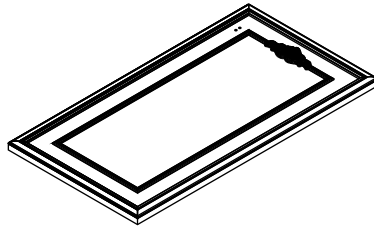




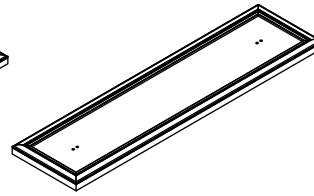
1/2



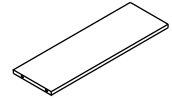
18.21.1204.007 x 1



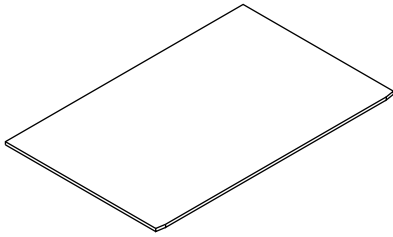
18.21.1204.008 x 1



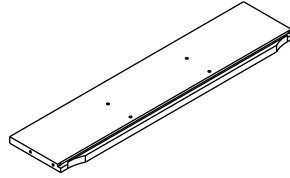
18.21.1204.021 x 1



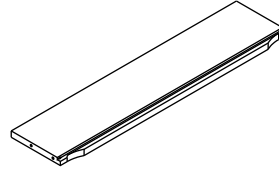
18.21.1204.014 x 4



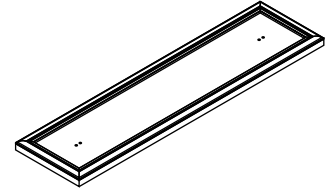
18.21.1204.015 x 4



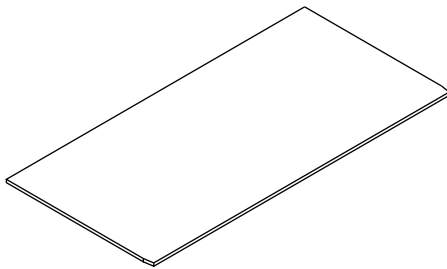
18.21.1204.016 x 1



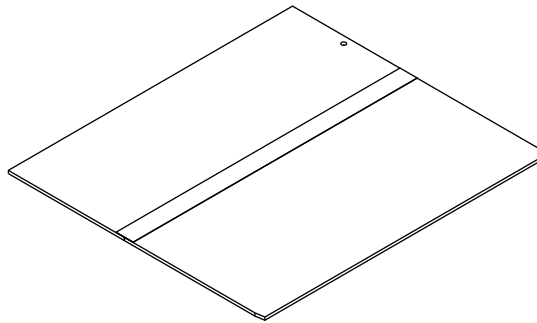
18.21.1204.020 x 2



18.21.1204.017 x 1



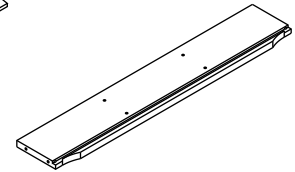
18.21.1204.004 x 1



18.21.1204.024 x 1

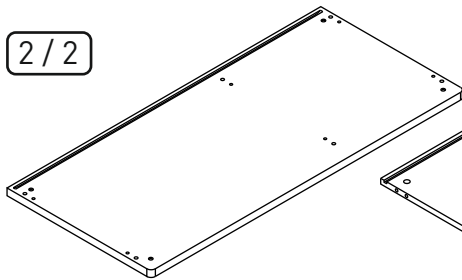


13.01.01.293 x 4

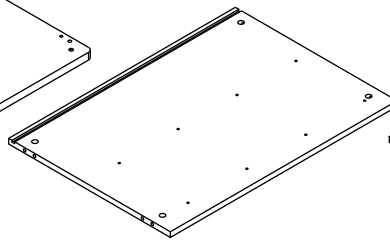


18.21.1204.013 x 1

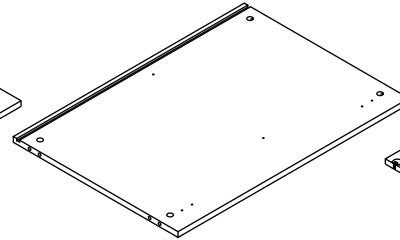
2/2



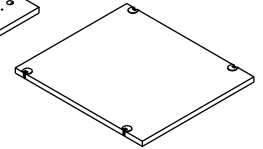
18.21.1204.001 x 1



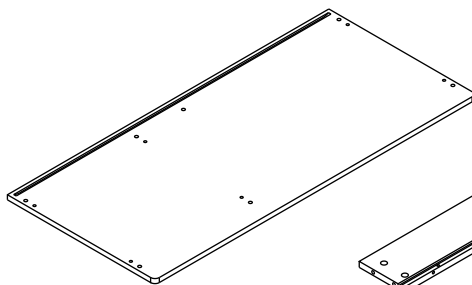
18.21.1204.002 x 1



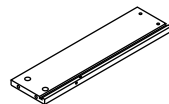
18.21.1204.005 x 1



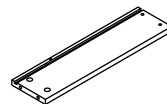
18.21.1204.009 x 1



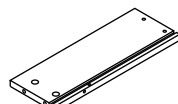
18.21.1204.006 x 1



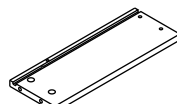
18.21.1204.011 x 1



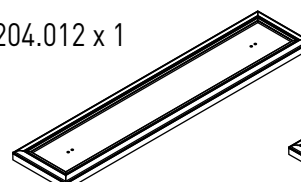
18.21.1204.012 x 1



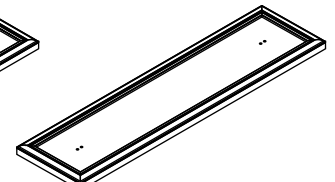
18.21.1204.018 x 3



18.21.1204.019 x 3



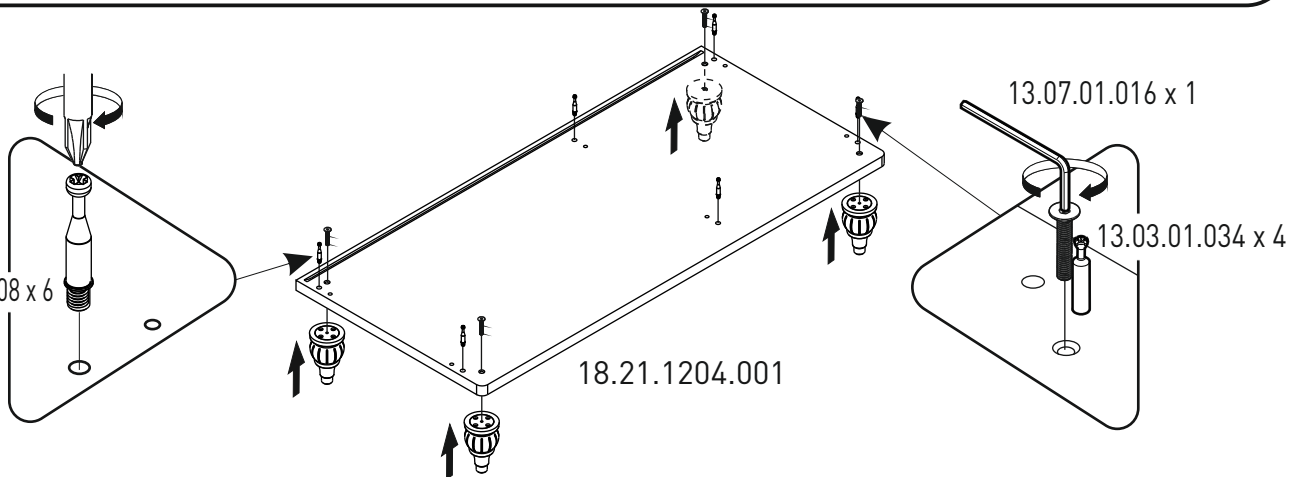
18.21.1204.010 x 1

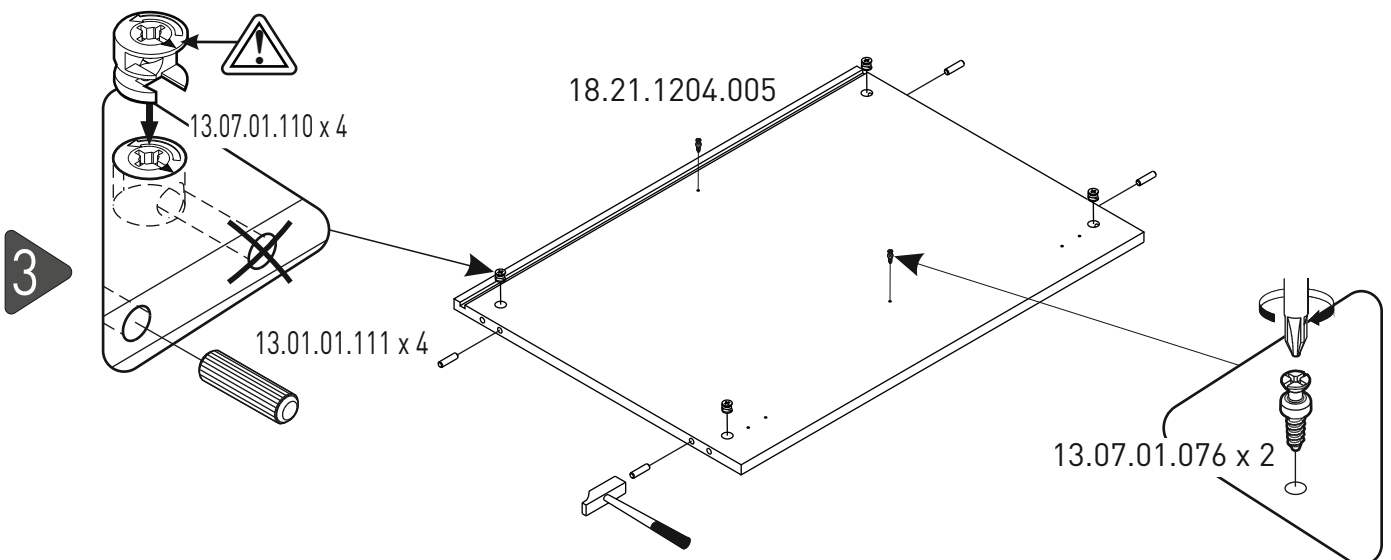
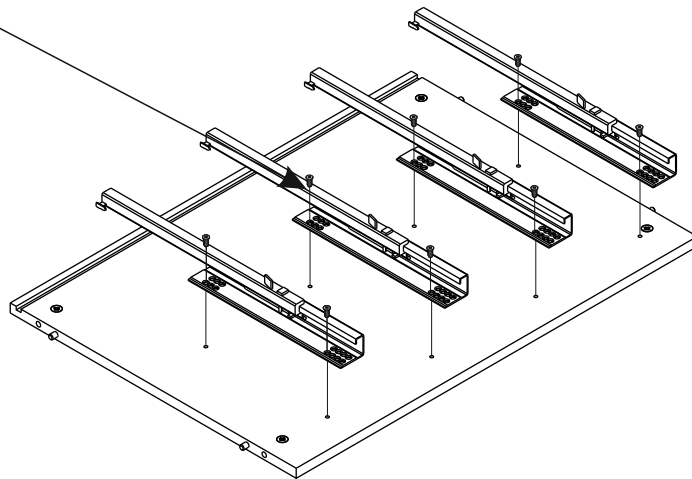
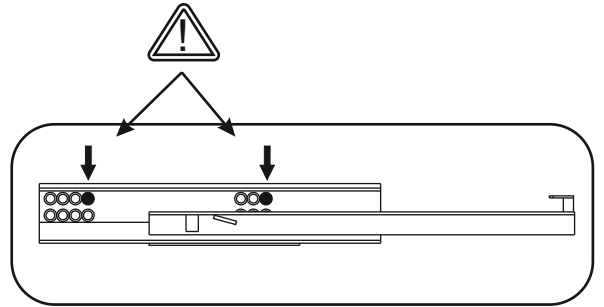
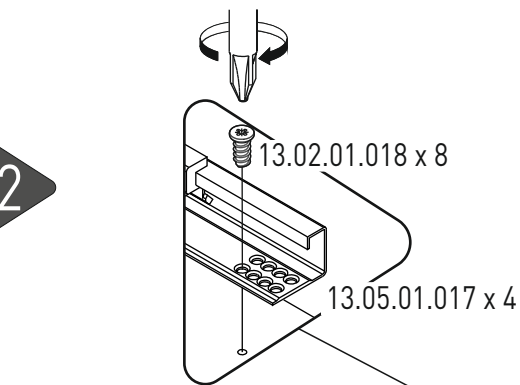
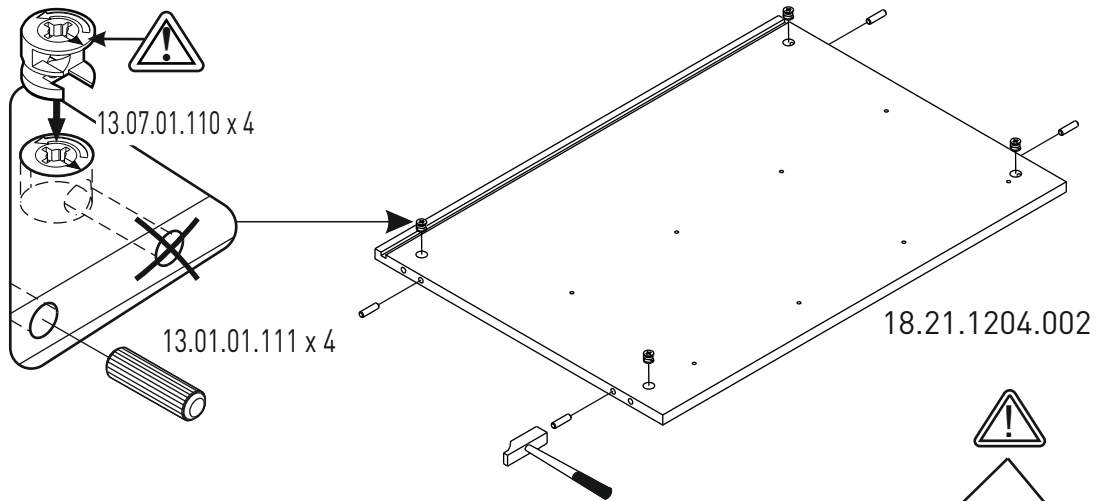


18.21.1204.022 x 1

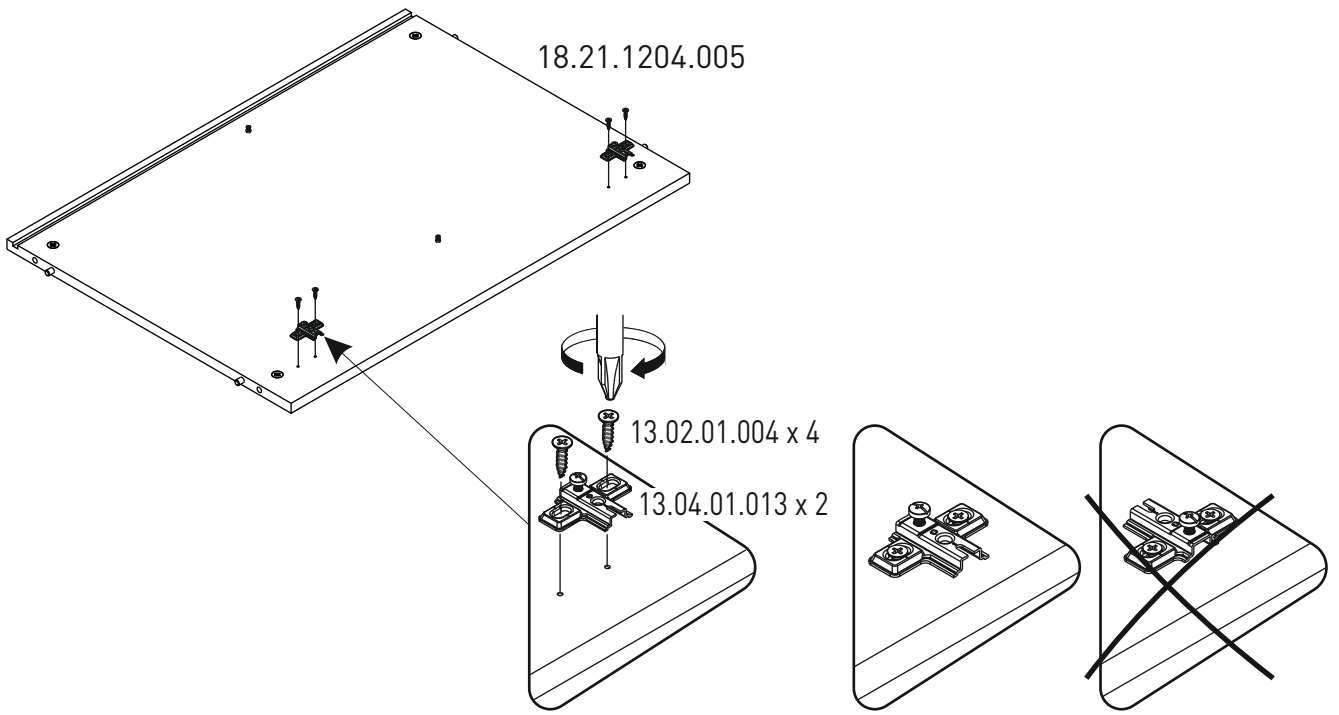
1

13.07.01.108 x 6

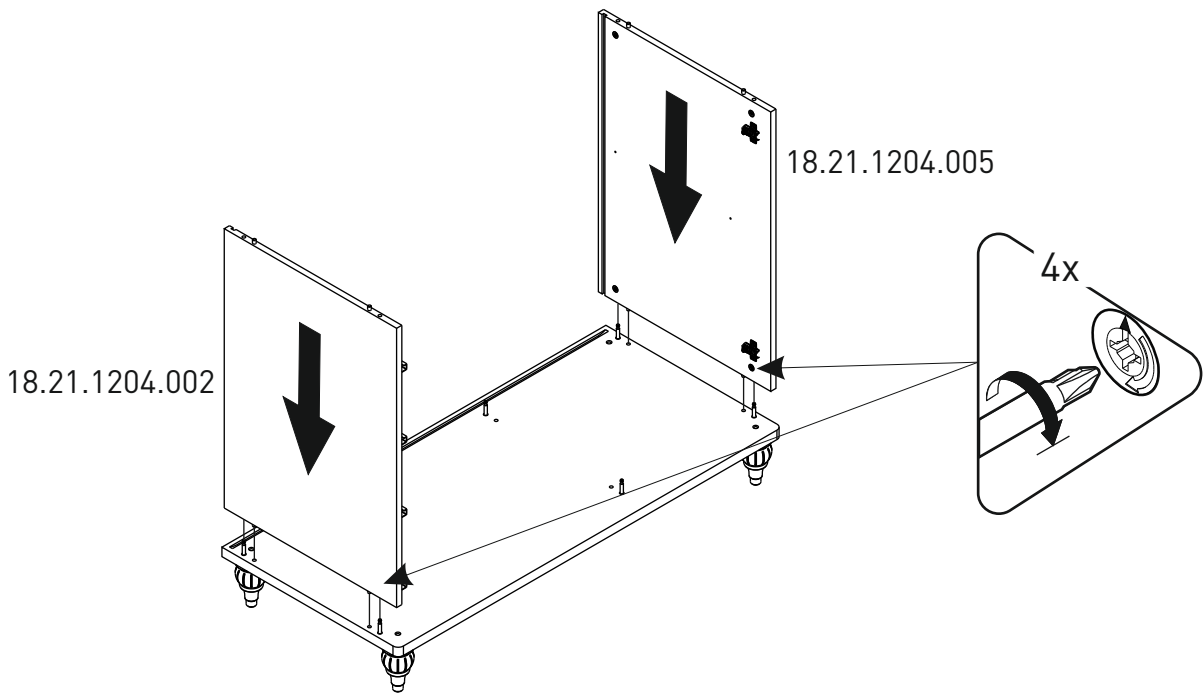




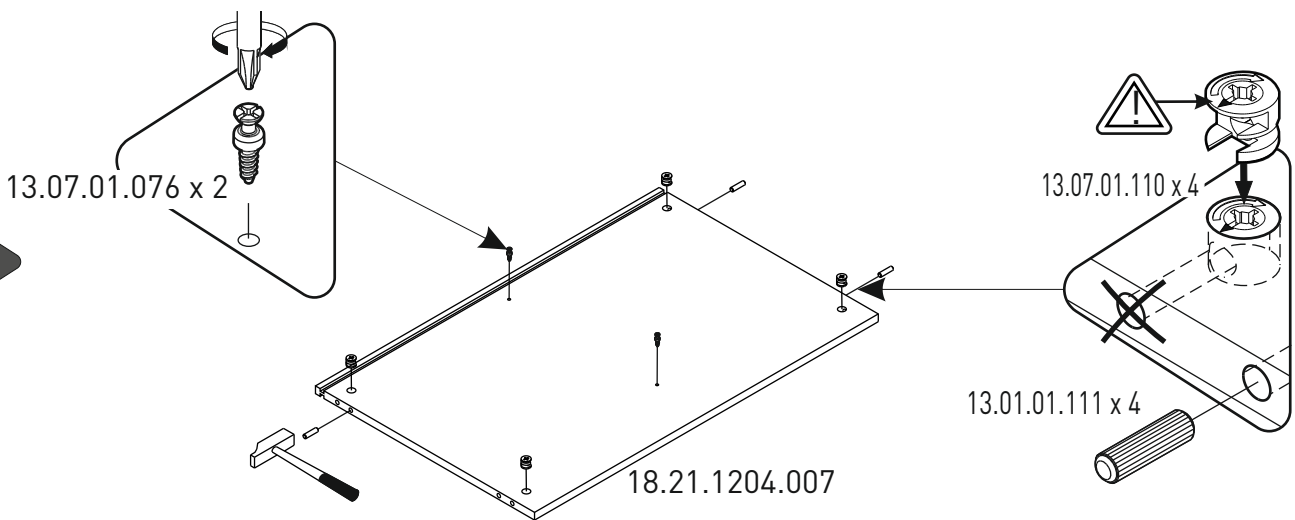
4



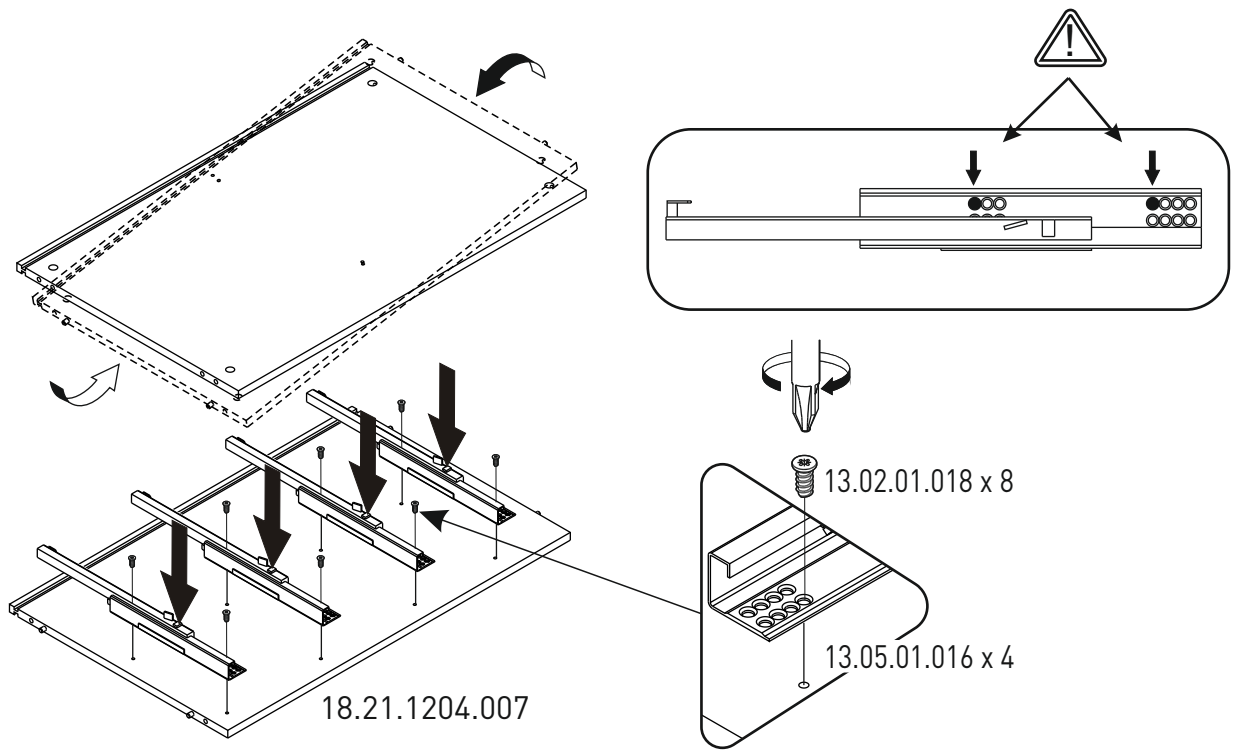
5



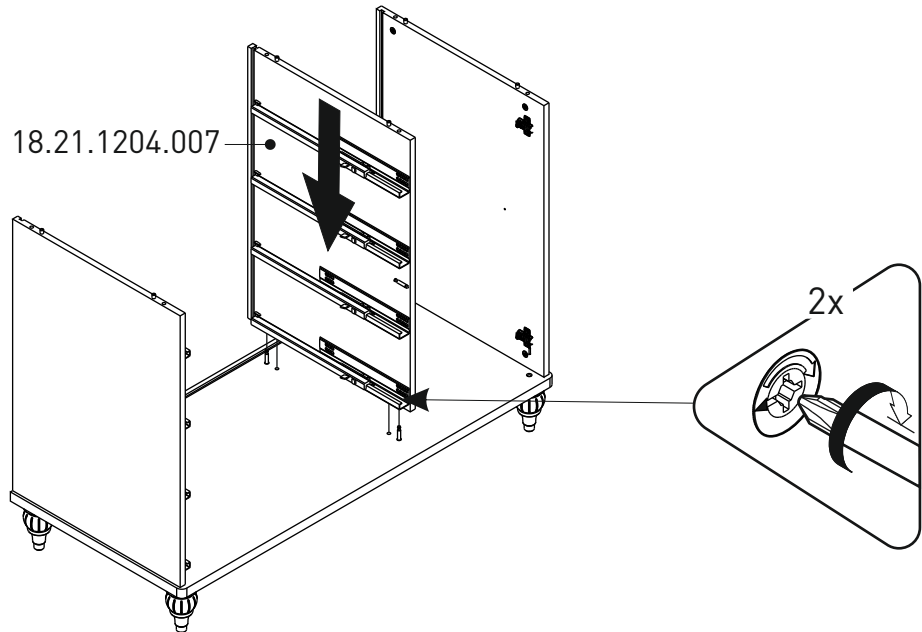
6



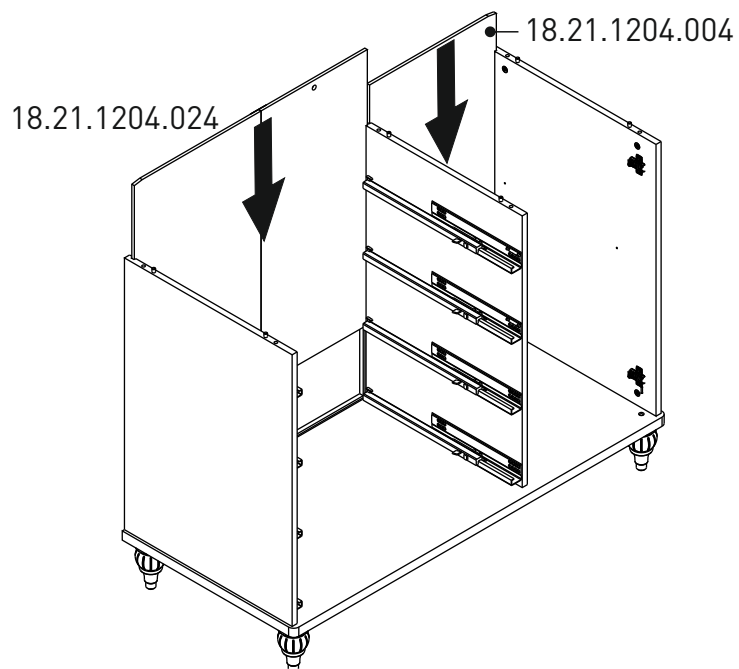
7



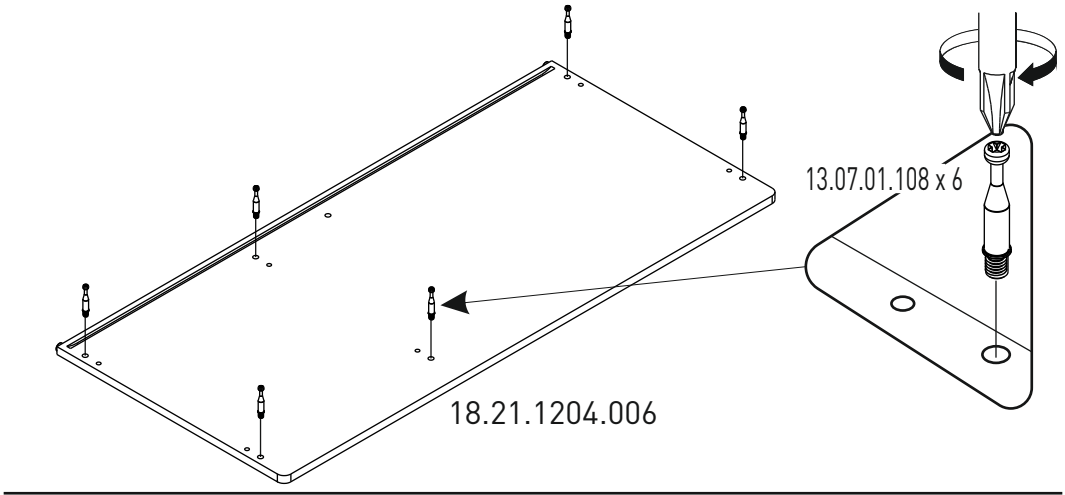
8



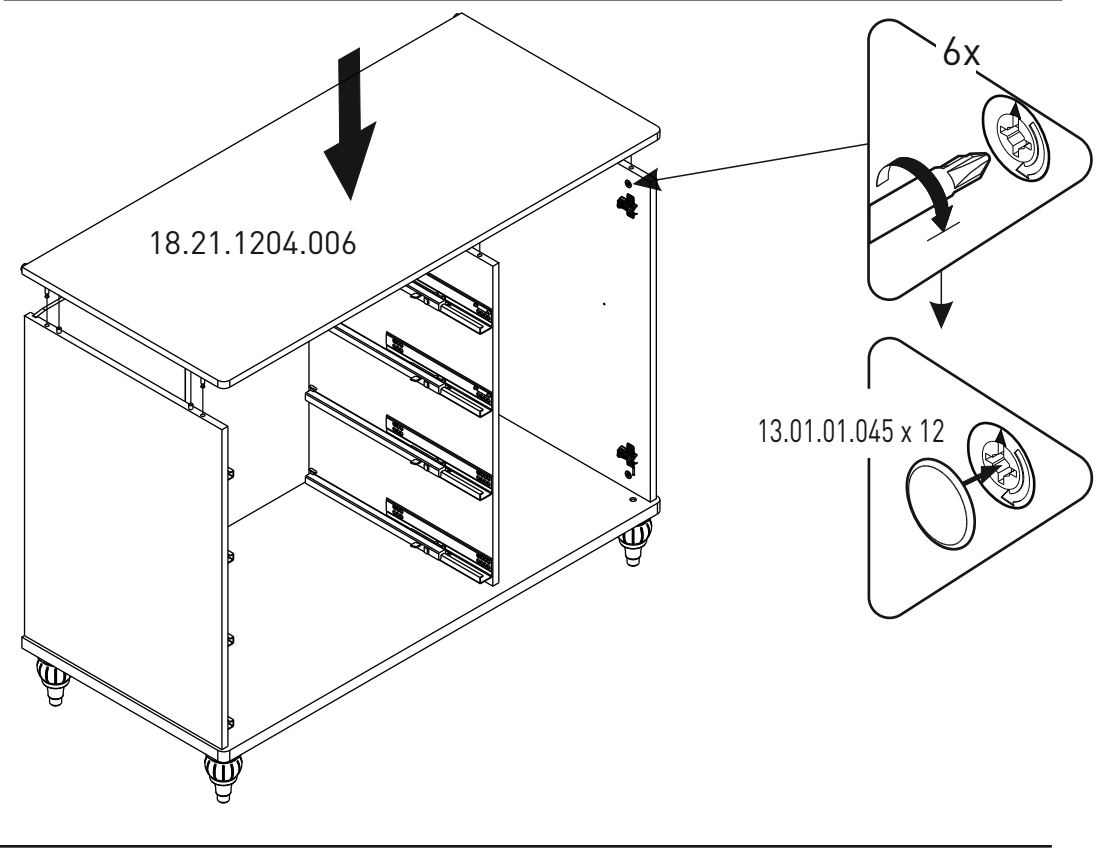
9



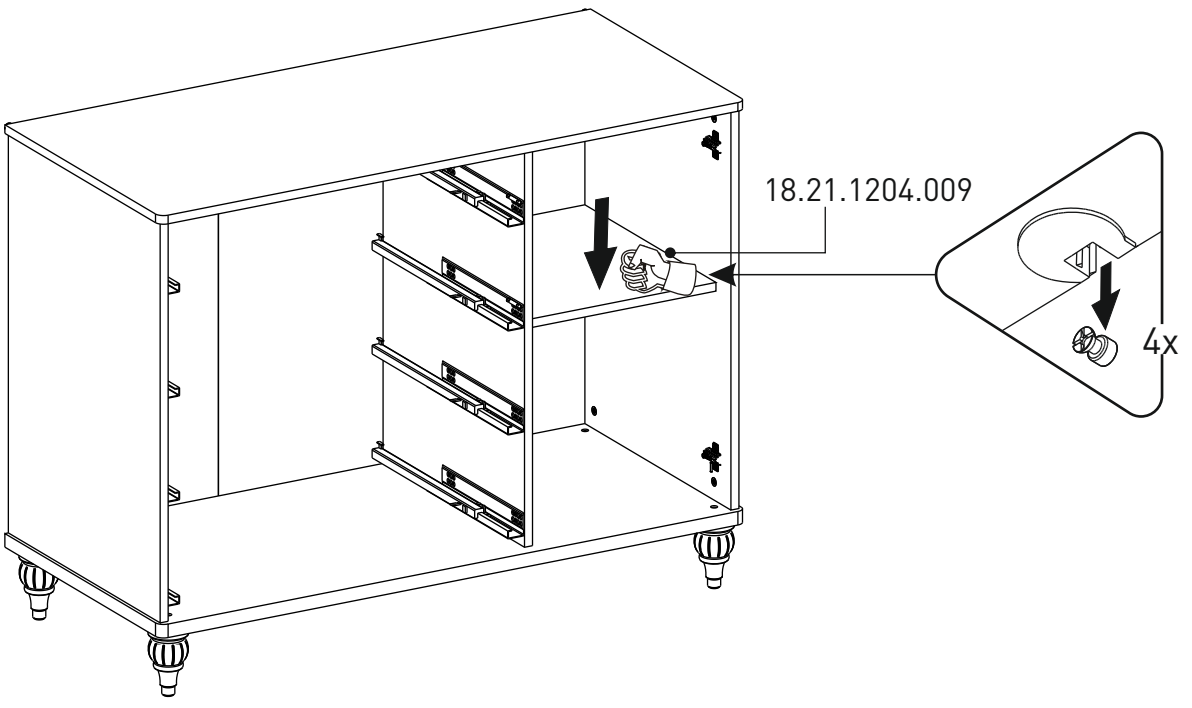
10



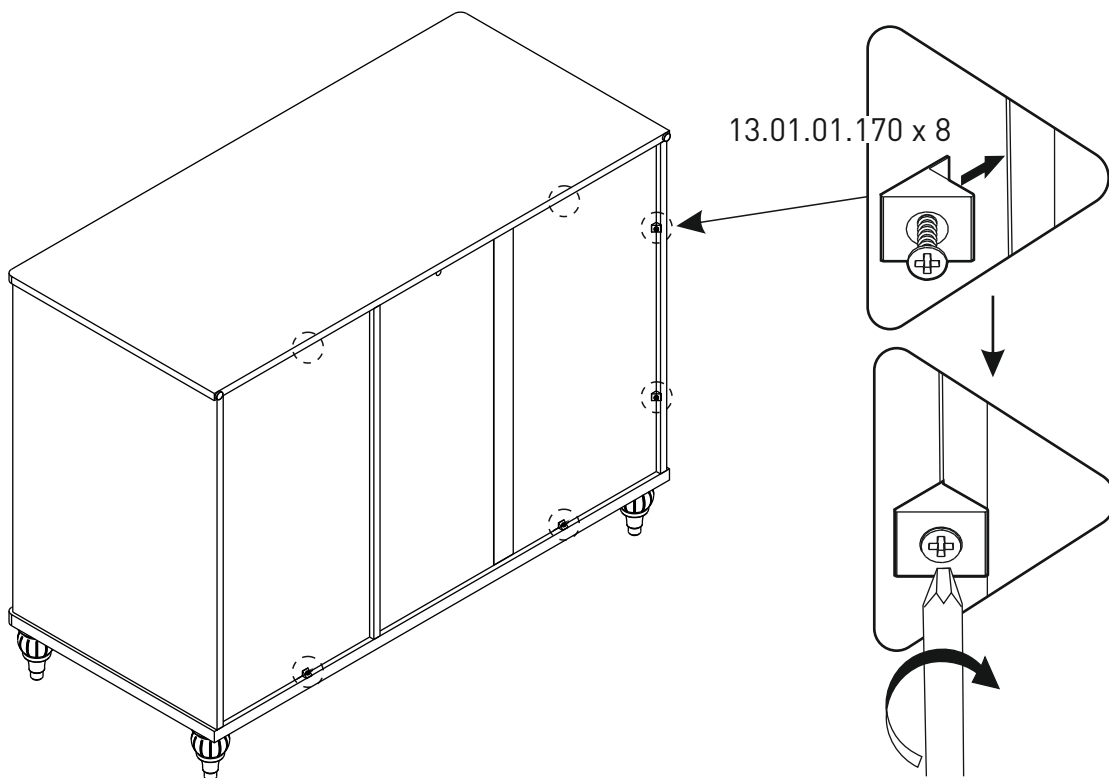
11



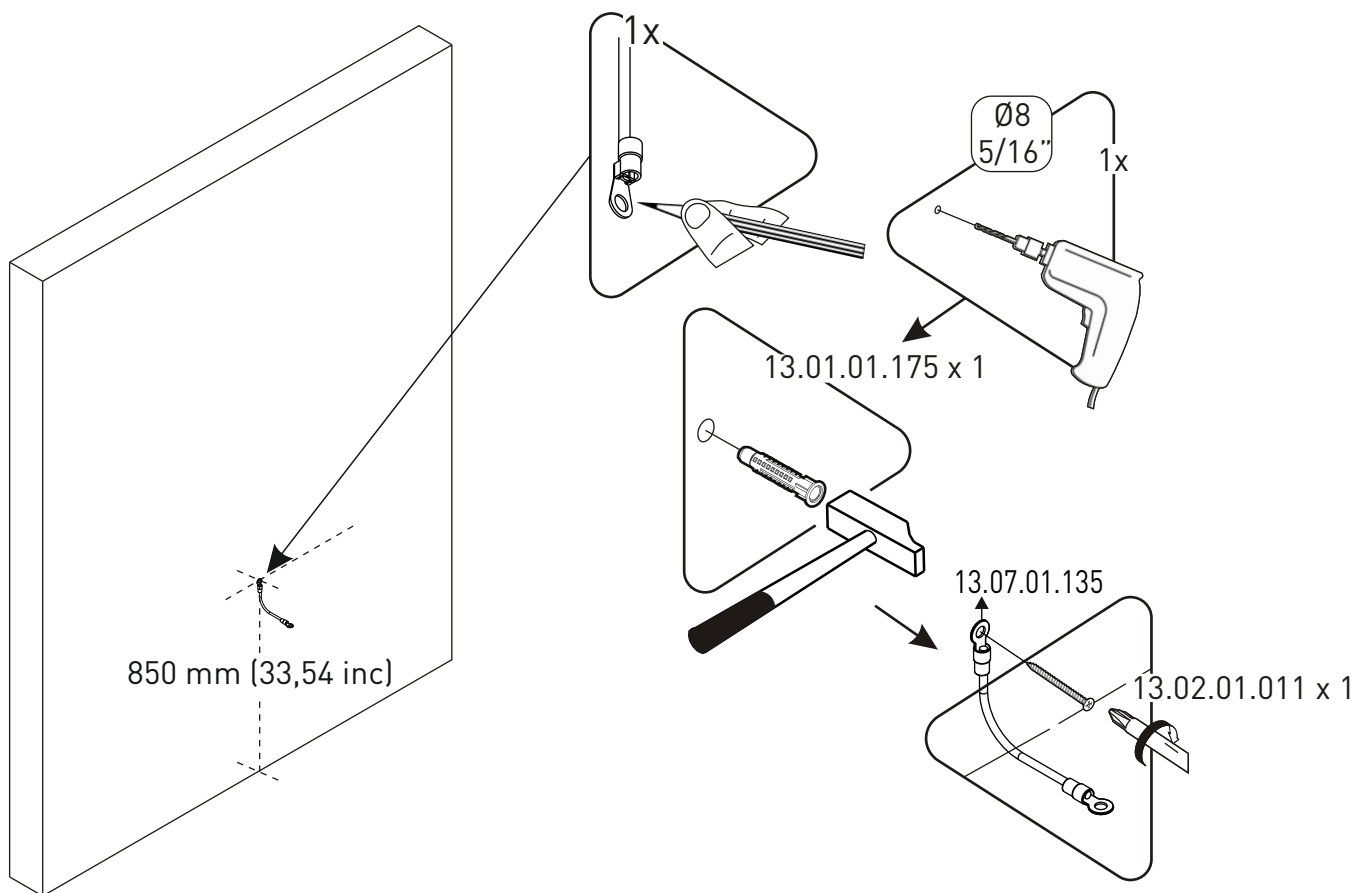
12



13

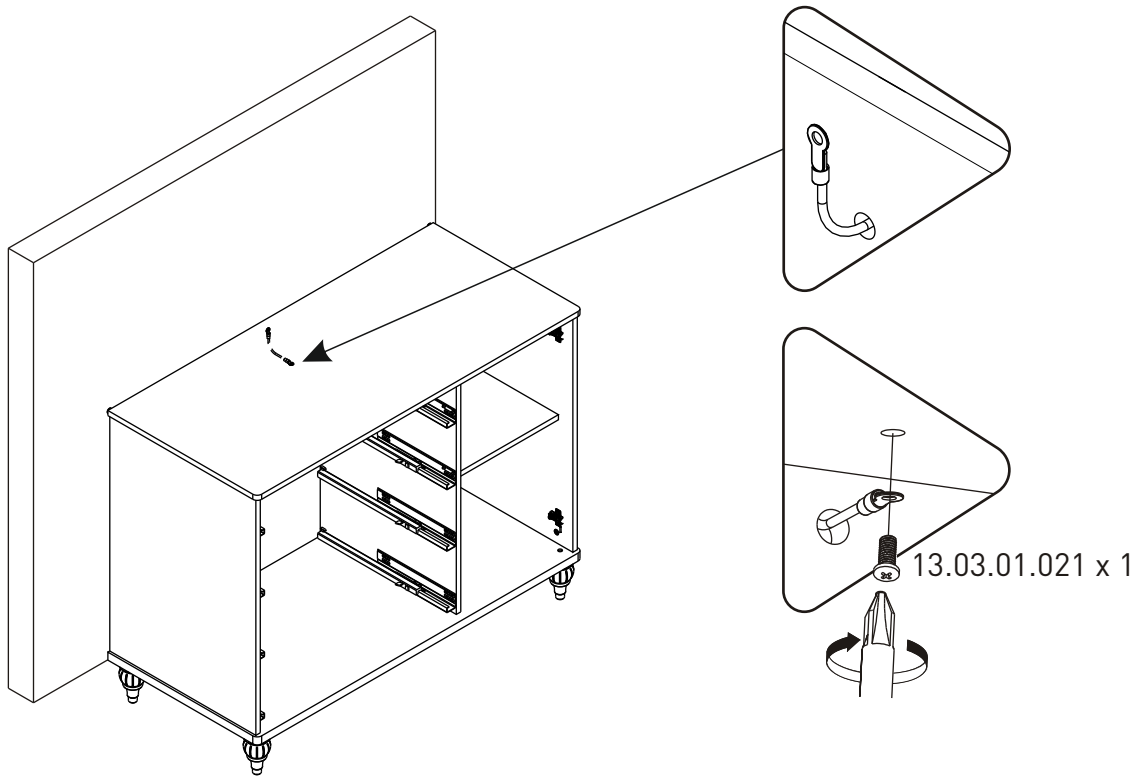


14

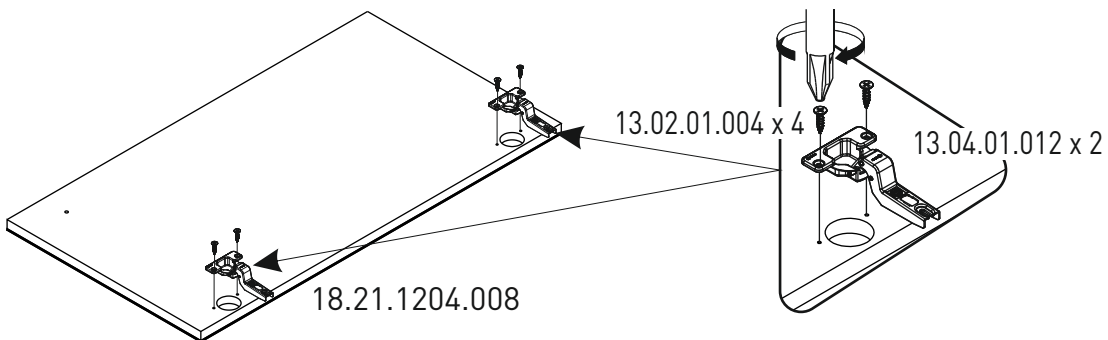




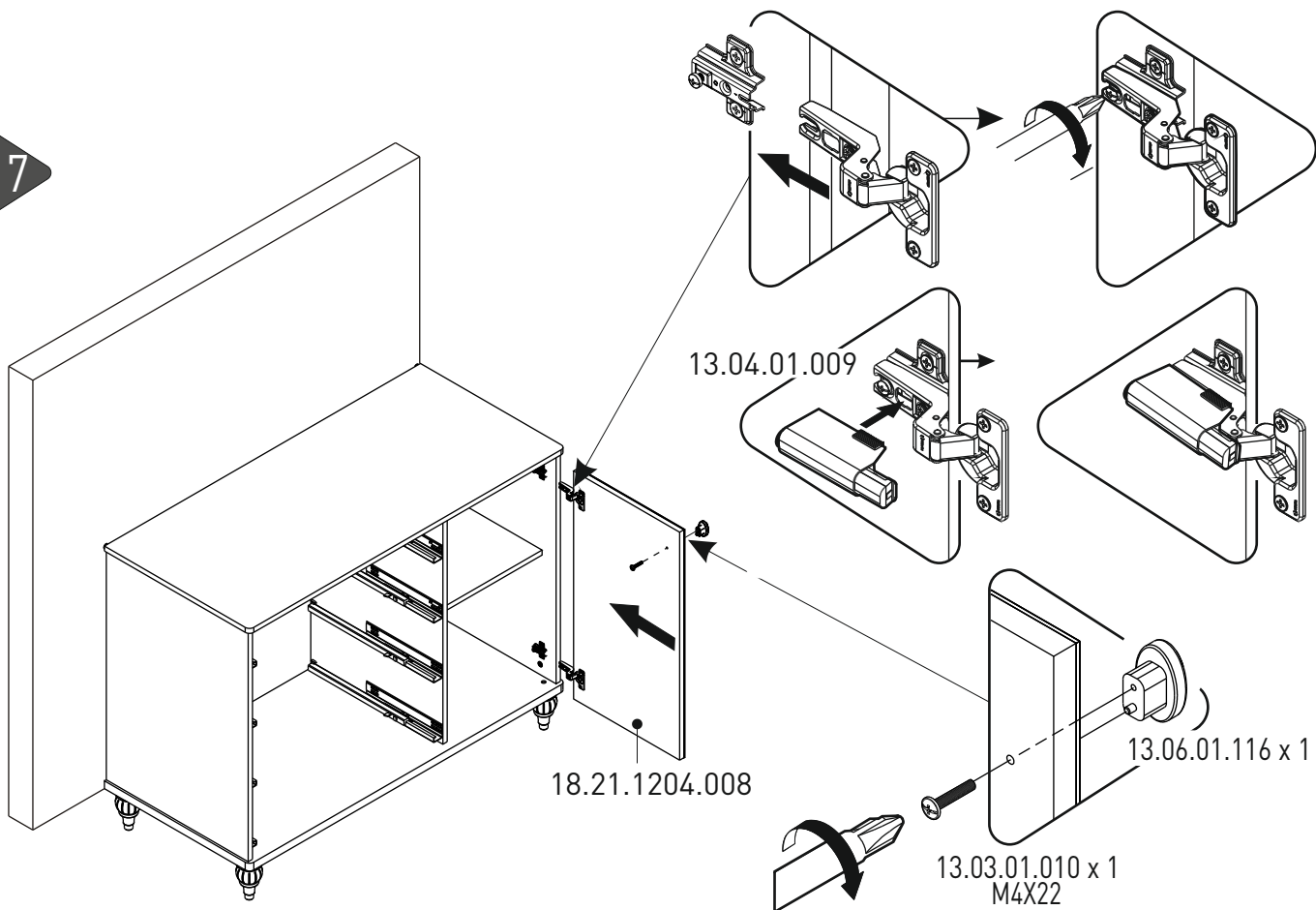
15



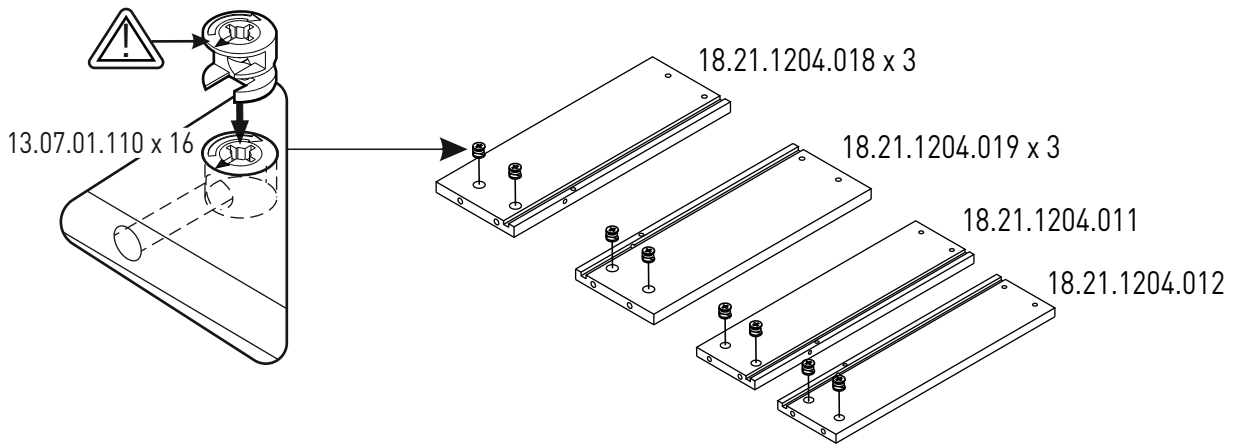
16



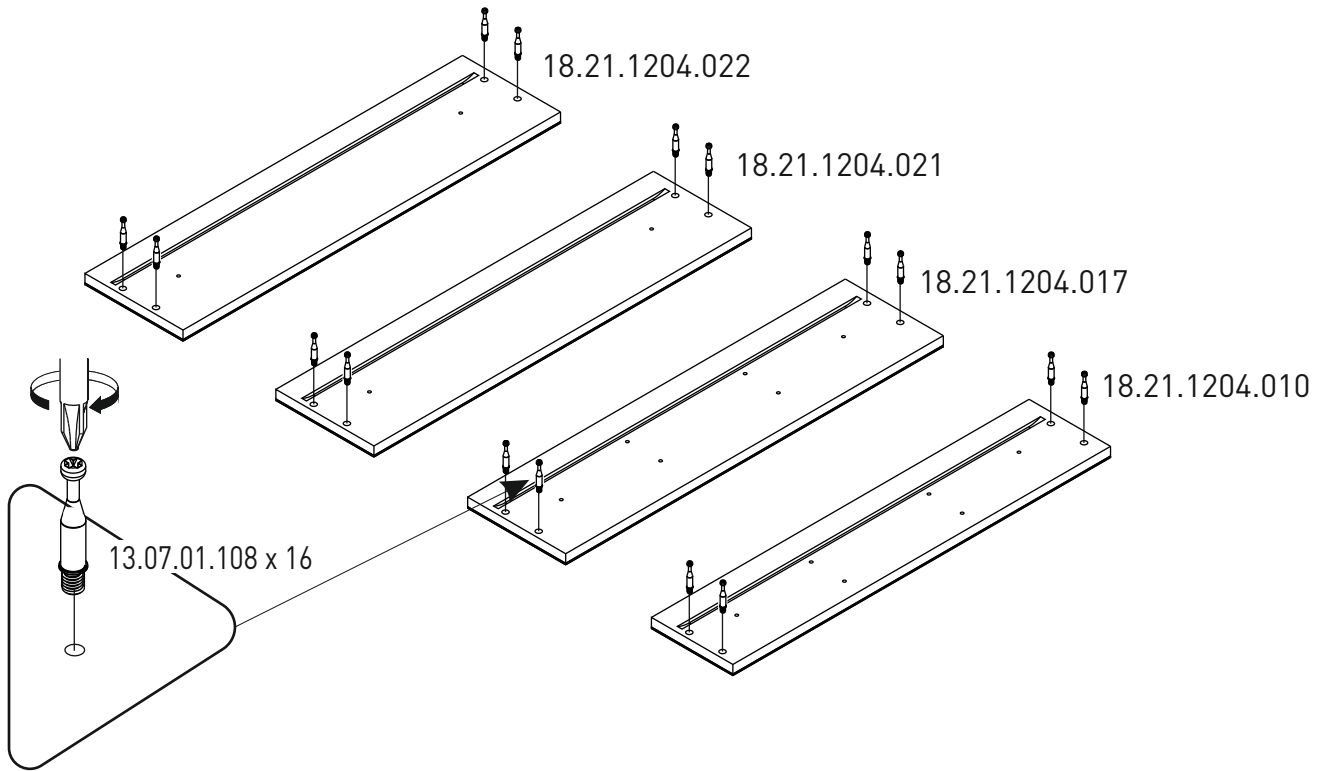
17



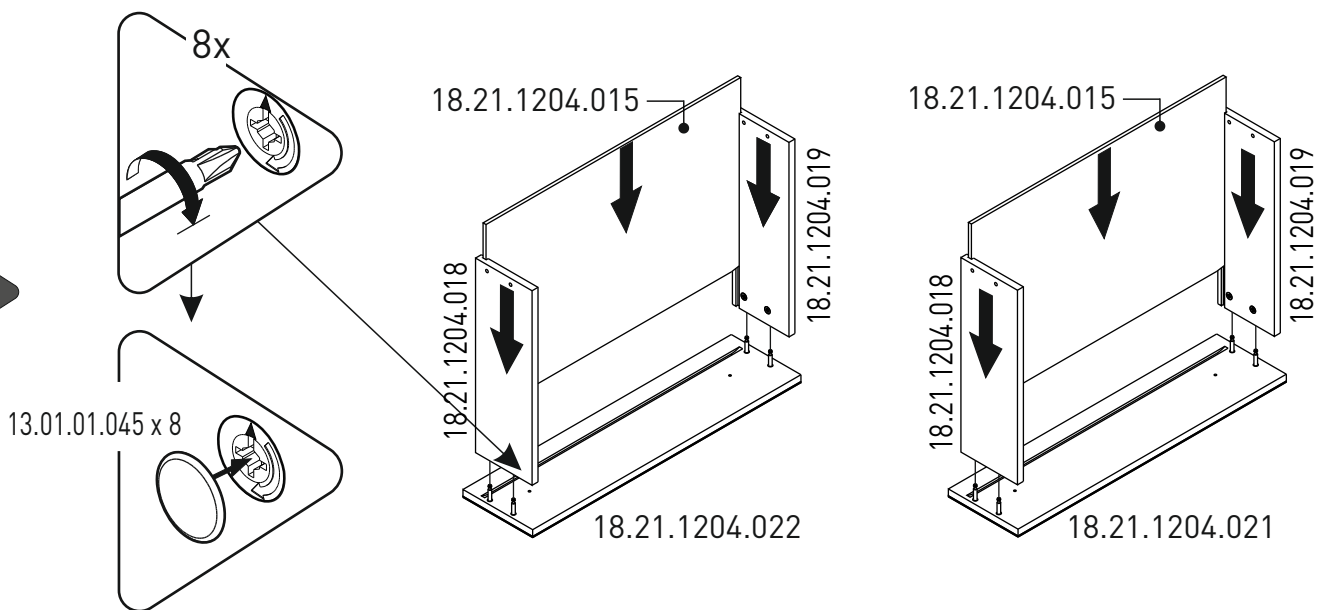
18



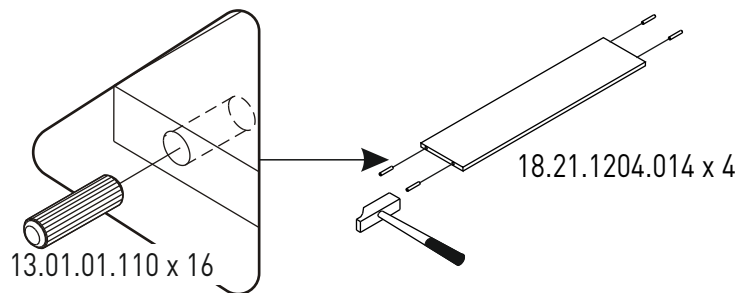
19



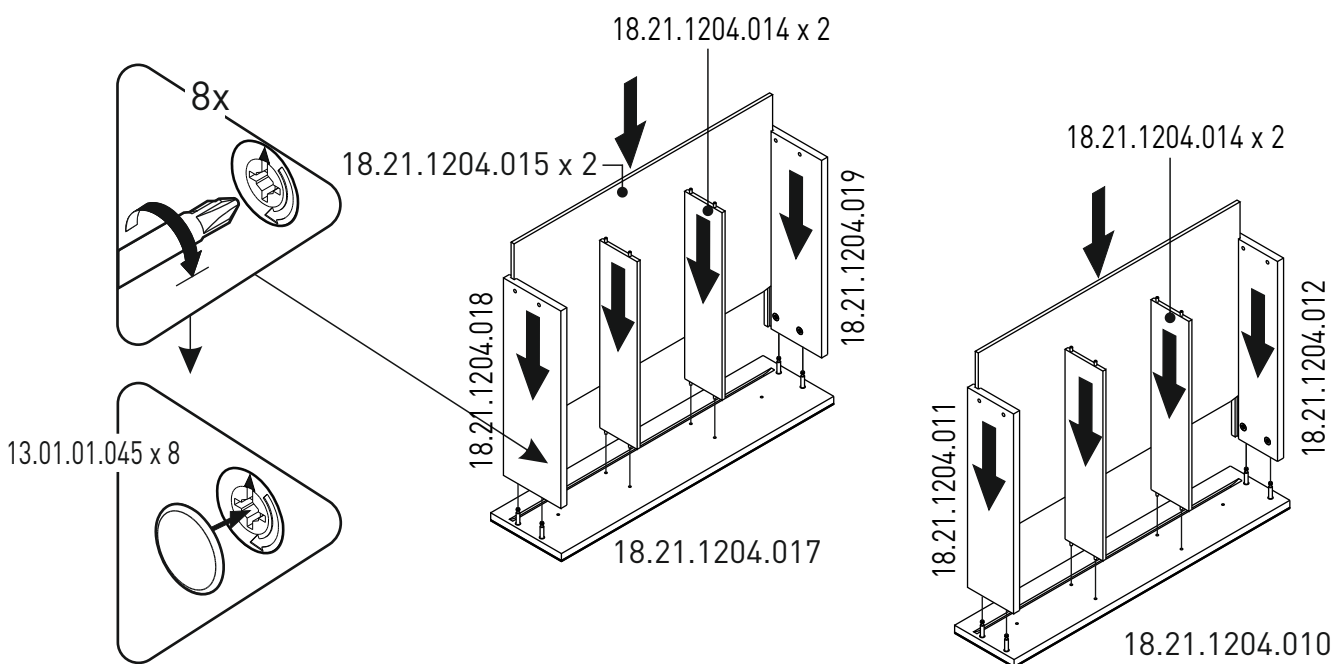
20



21



22



23

