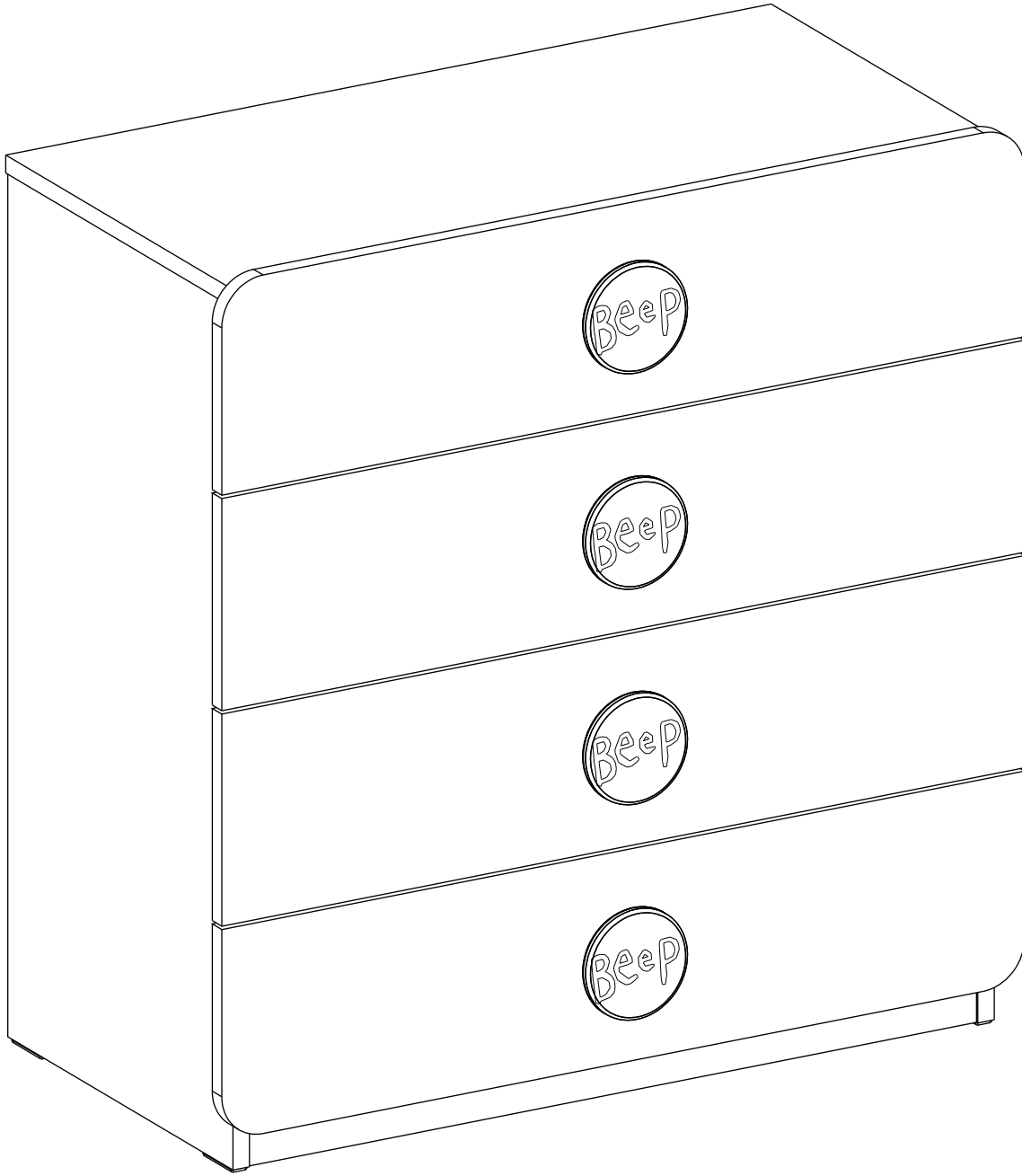
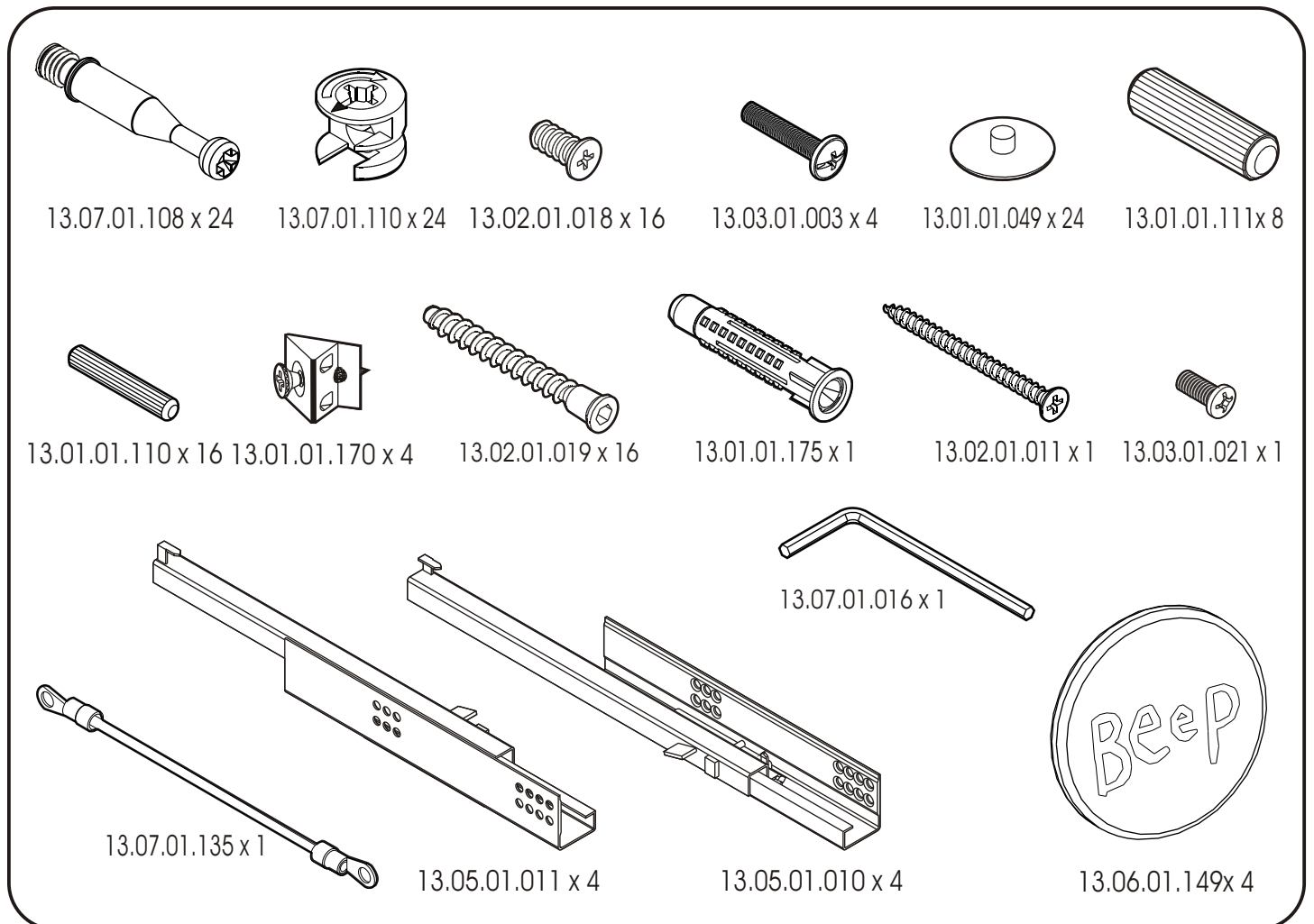
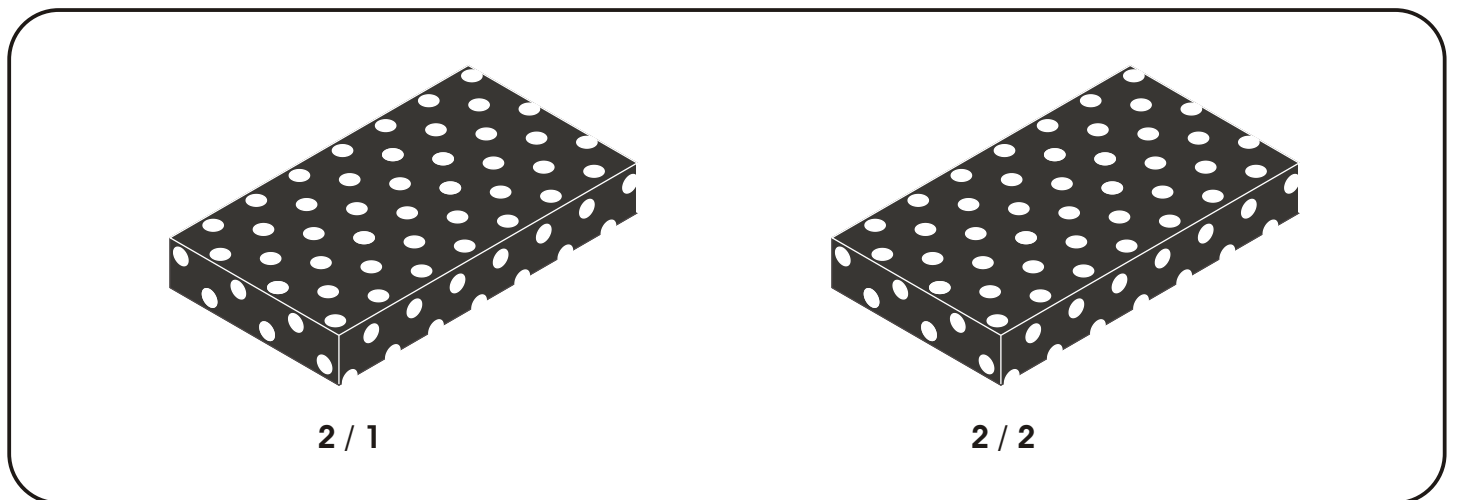
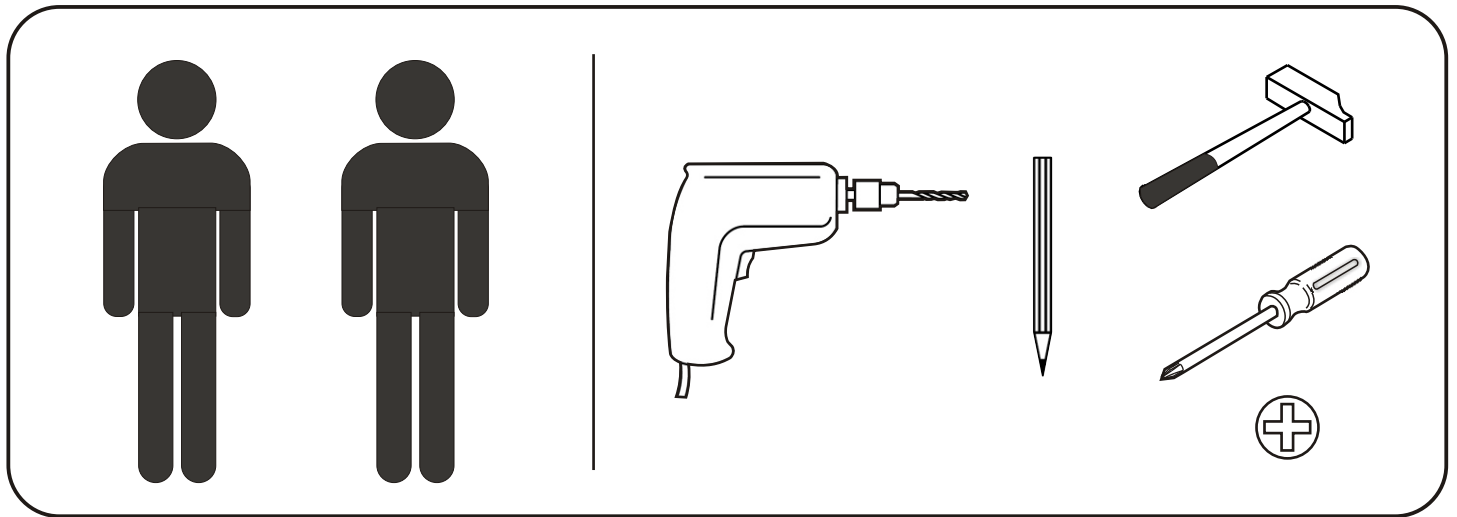
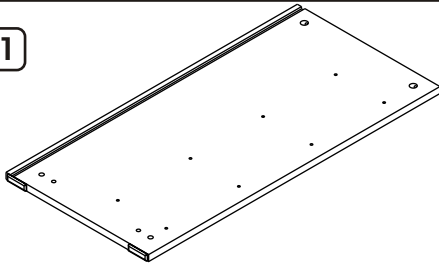


20.43.1203.00

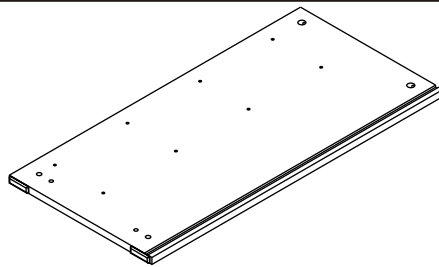




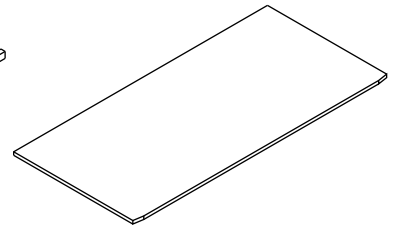
2 / 1



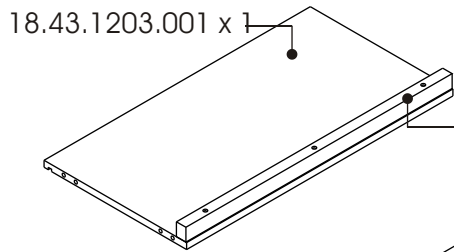
18.43.1203.005 x 1



18.43.1203.003 x 1

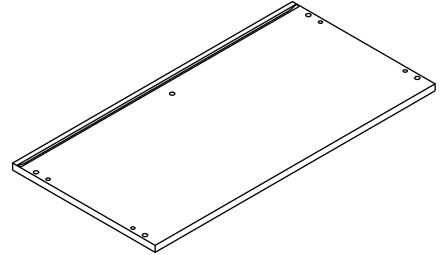


18.43.1203.011 x 1



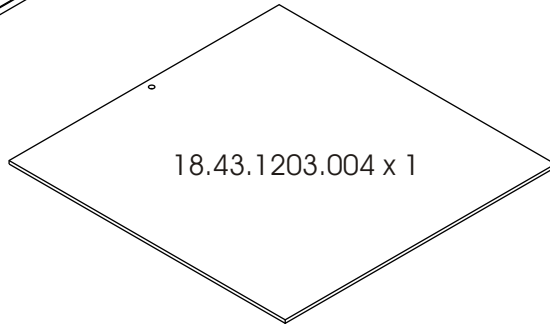
18.43.1203.001 x 1

18.43.1203.002 x 1

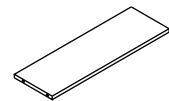


18.43.1203.006 x 1

18.43.1203.020 x 1

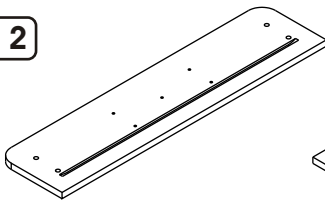


18.43.1203.004 x 1

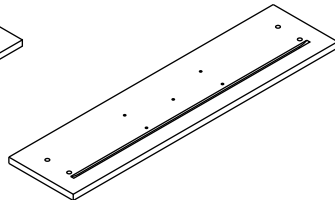


18.43.1203.010 x 4

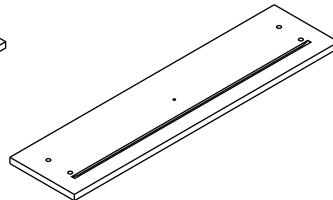
2 / 2



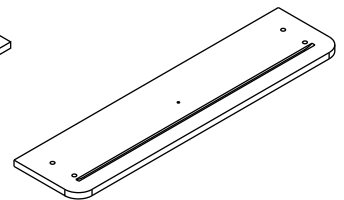
18.43.1203.007 x 1



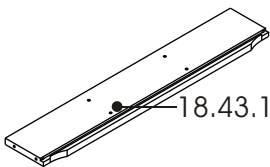
18.43.1203.013 x 1



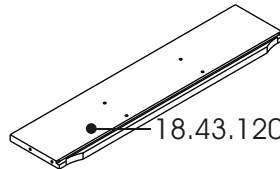
18.43.1203.017 x 1



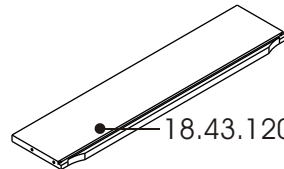
18.43.1203.019 x 1



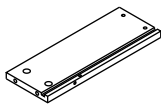
18.43.1203.012 x 1



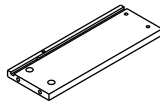
18.43.1203.016 x 1



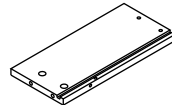
18.43.1203.018 x 2



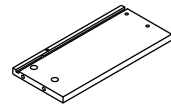
18.43.1203.008 x 1



18.43.1203.009 x 1

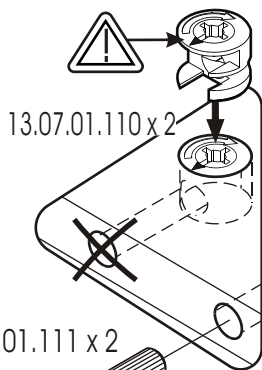


18.43.1203.014 x 3



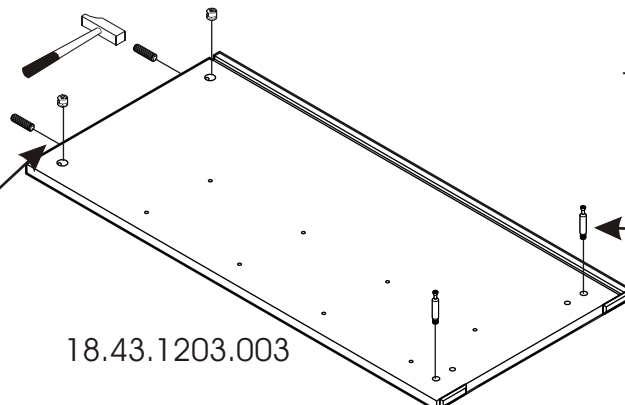
18.43.1203.015 x 3

1

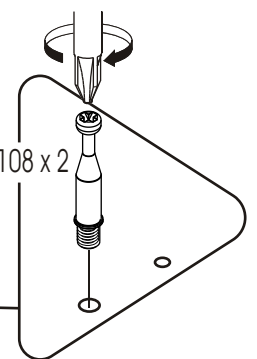


13.07.01.110 x 2

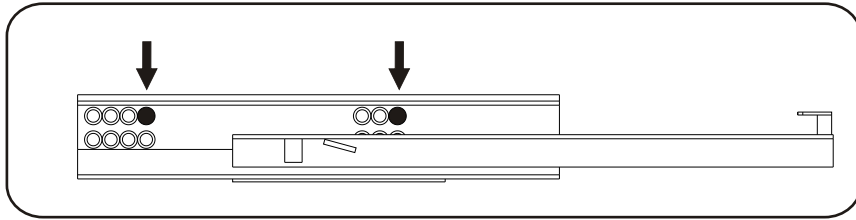
13.01.01.111 x 2



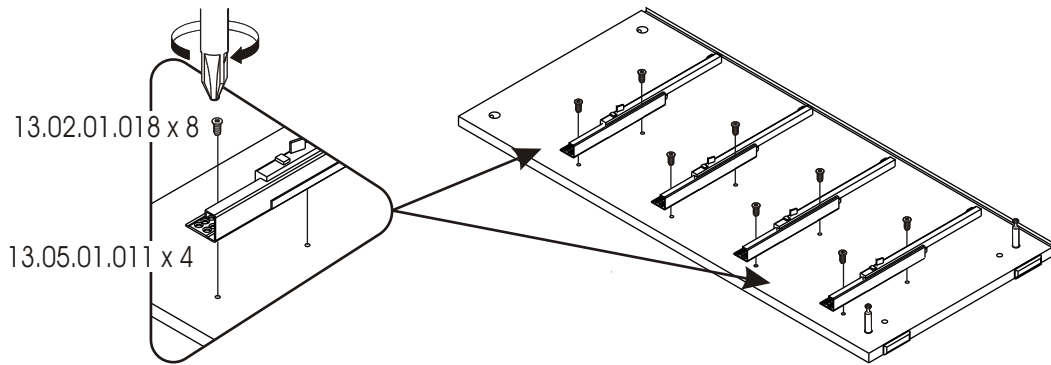
18.43.1203.003



13.07.01.108 x 2

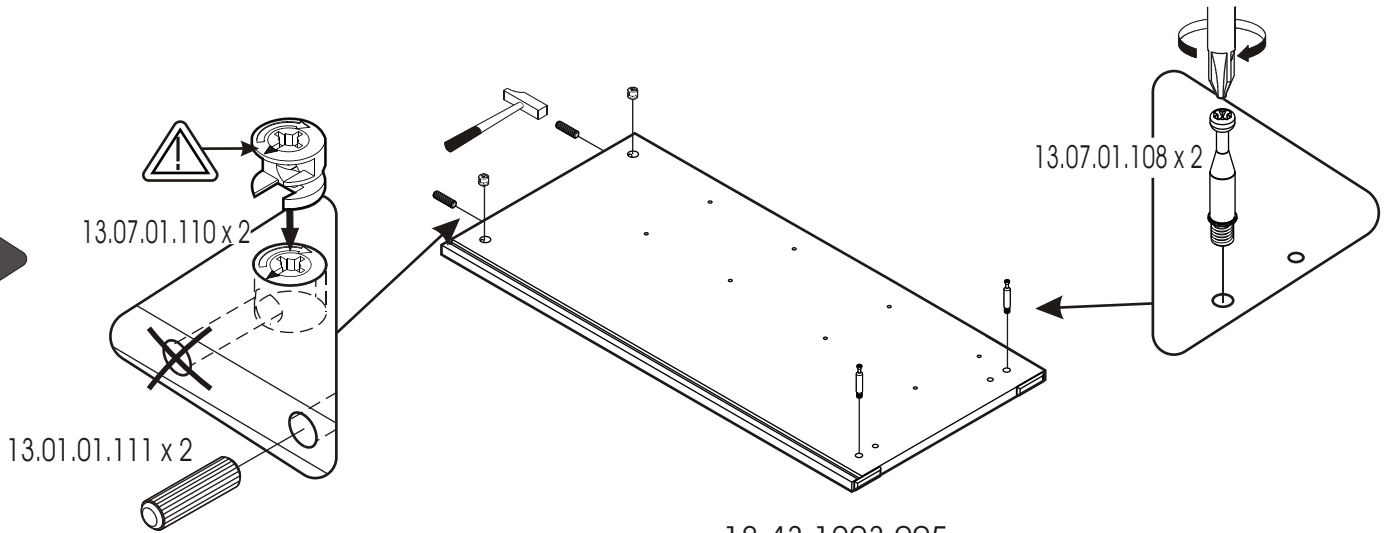


2

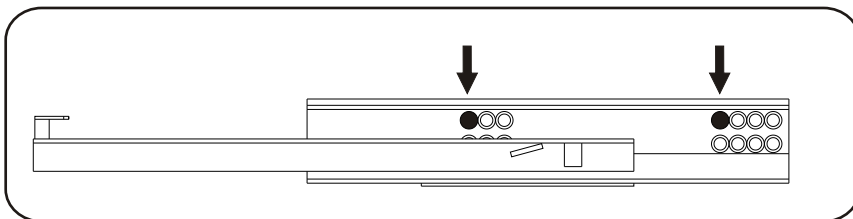


18.43.1203.003

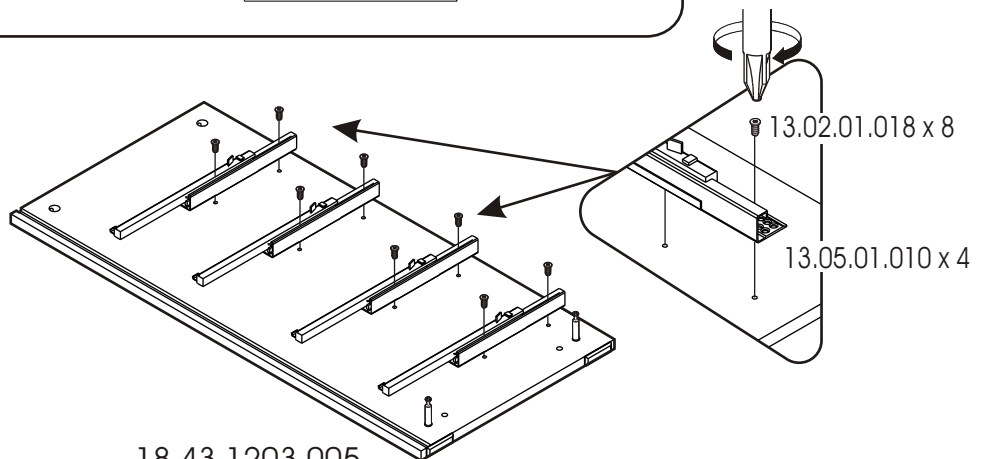
3



18.43.1203.005

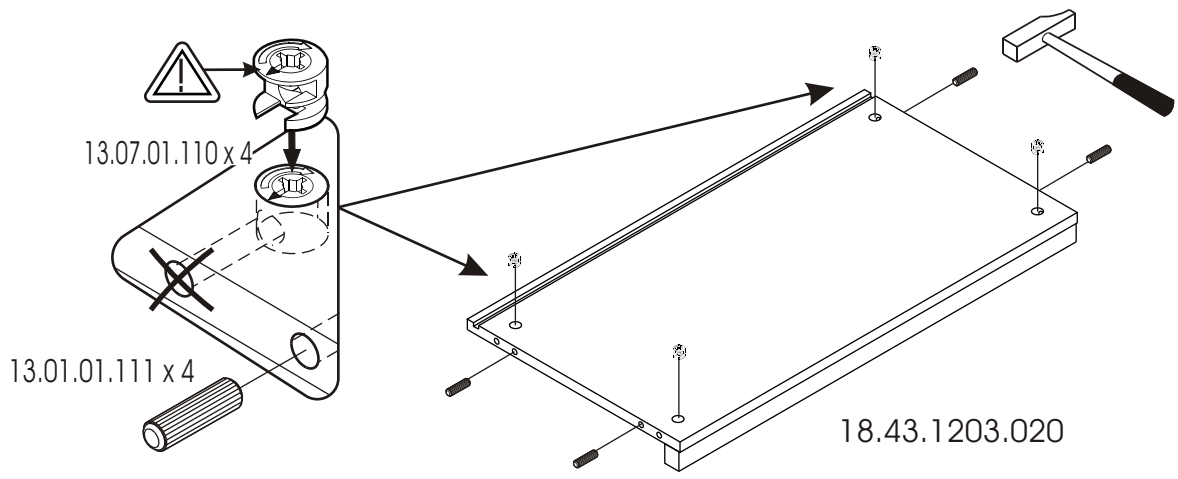


4

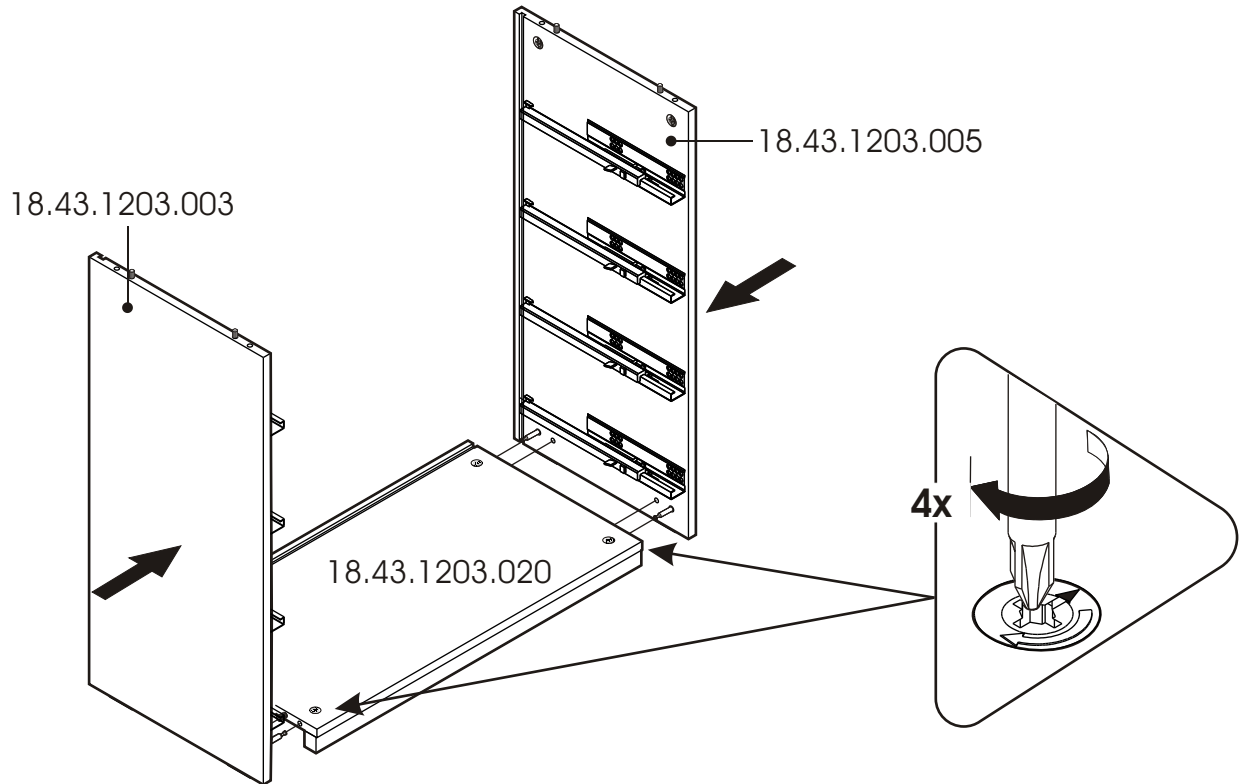


18.43.1203.005

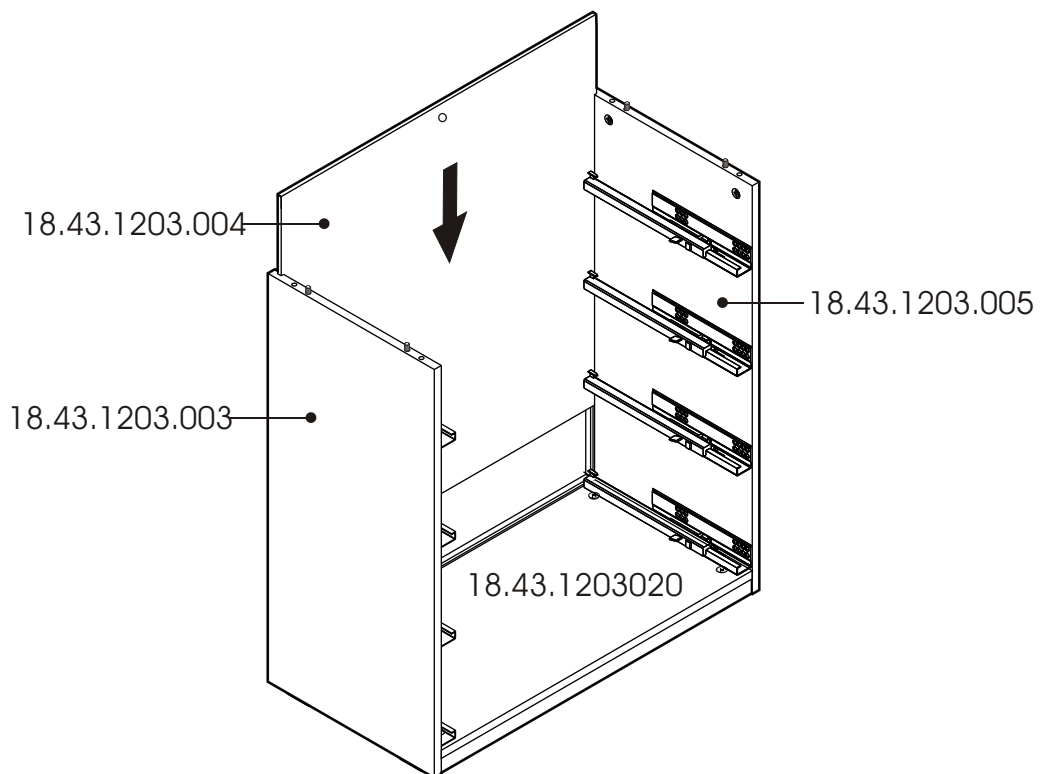
5



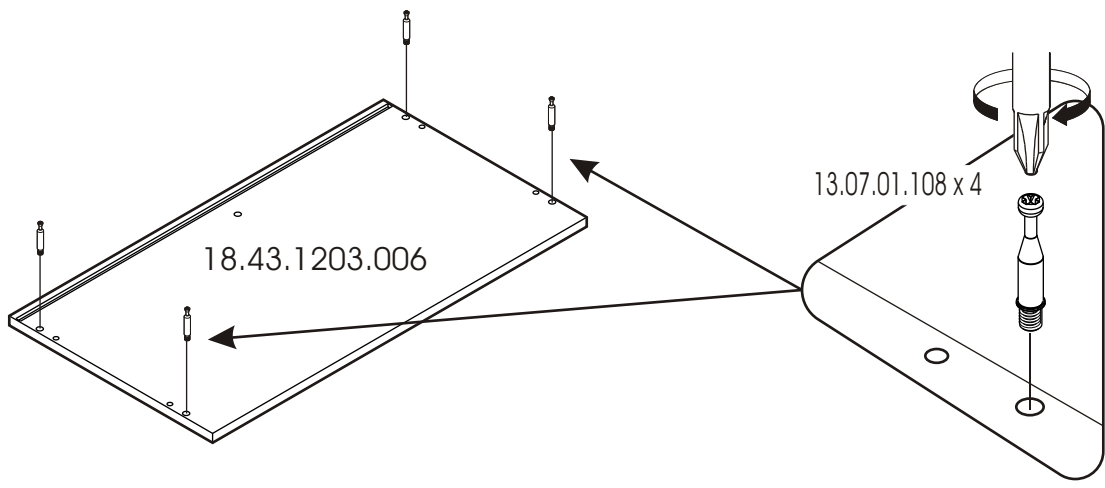
6



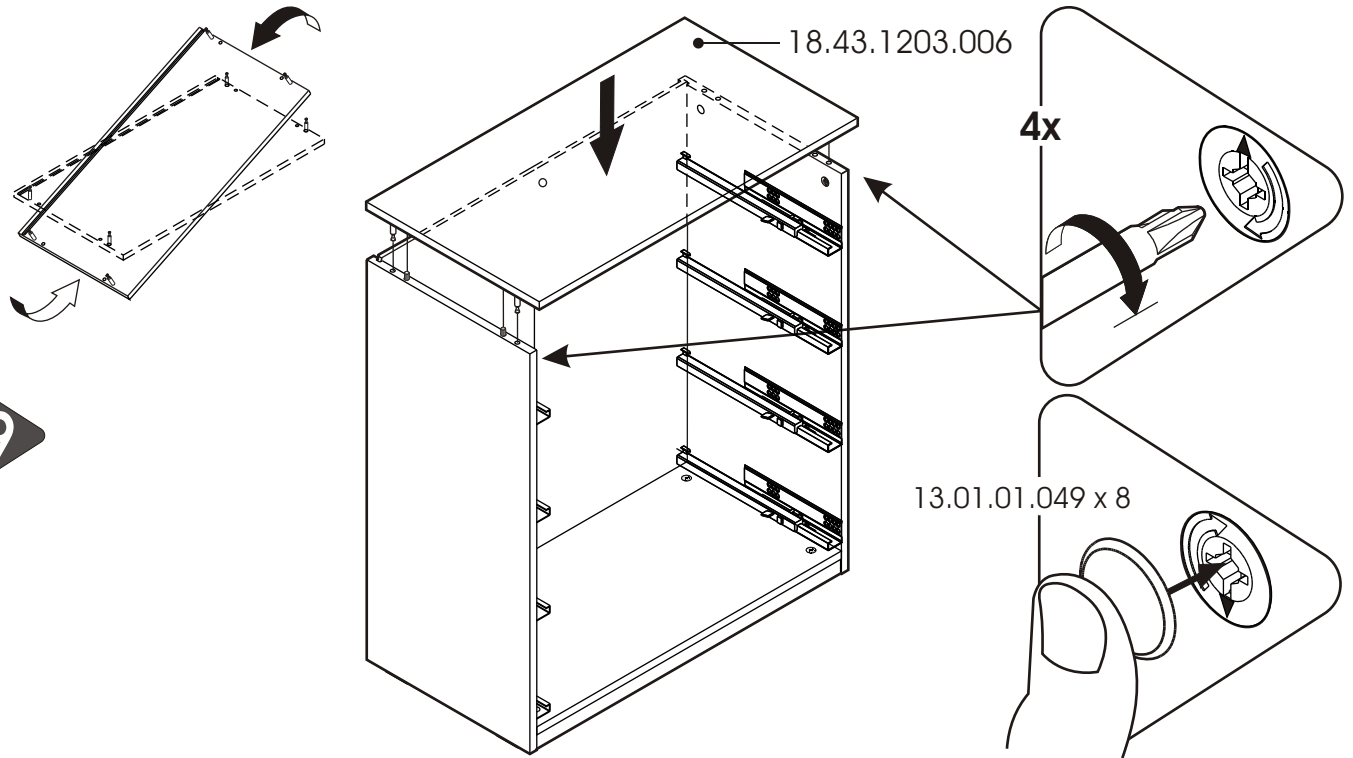
7



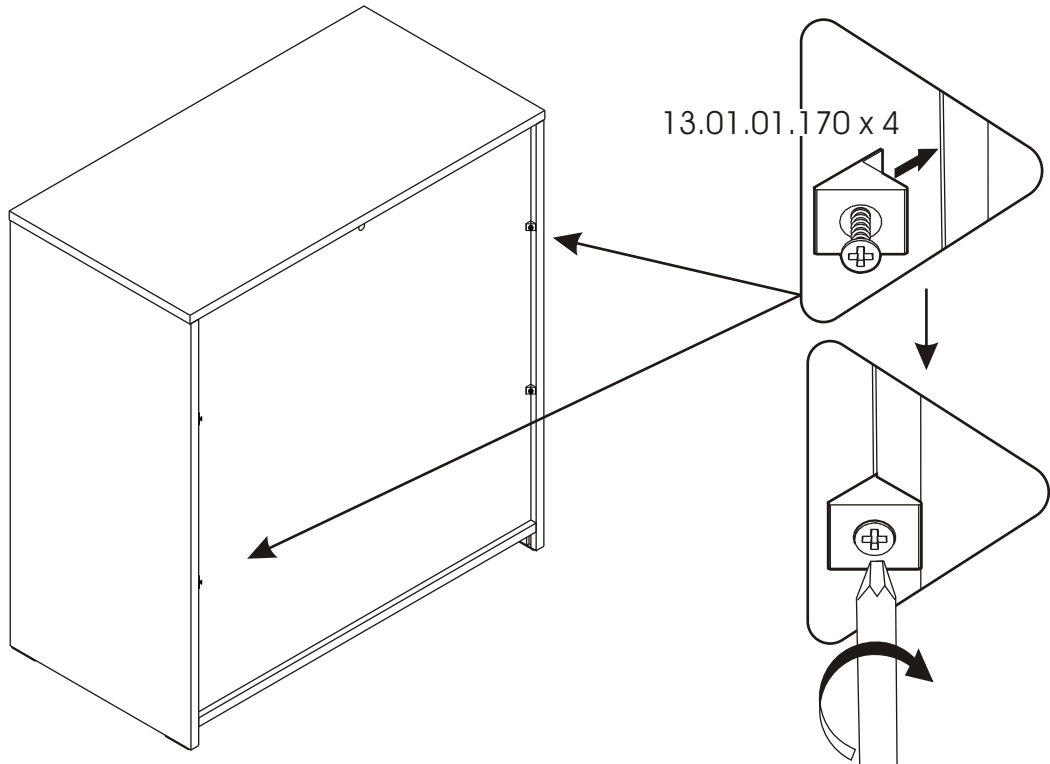
8



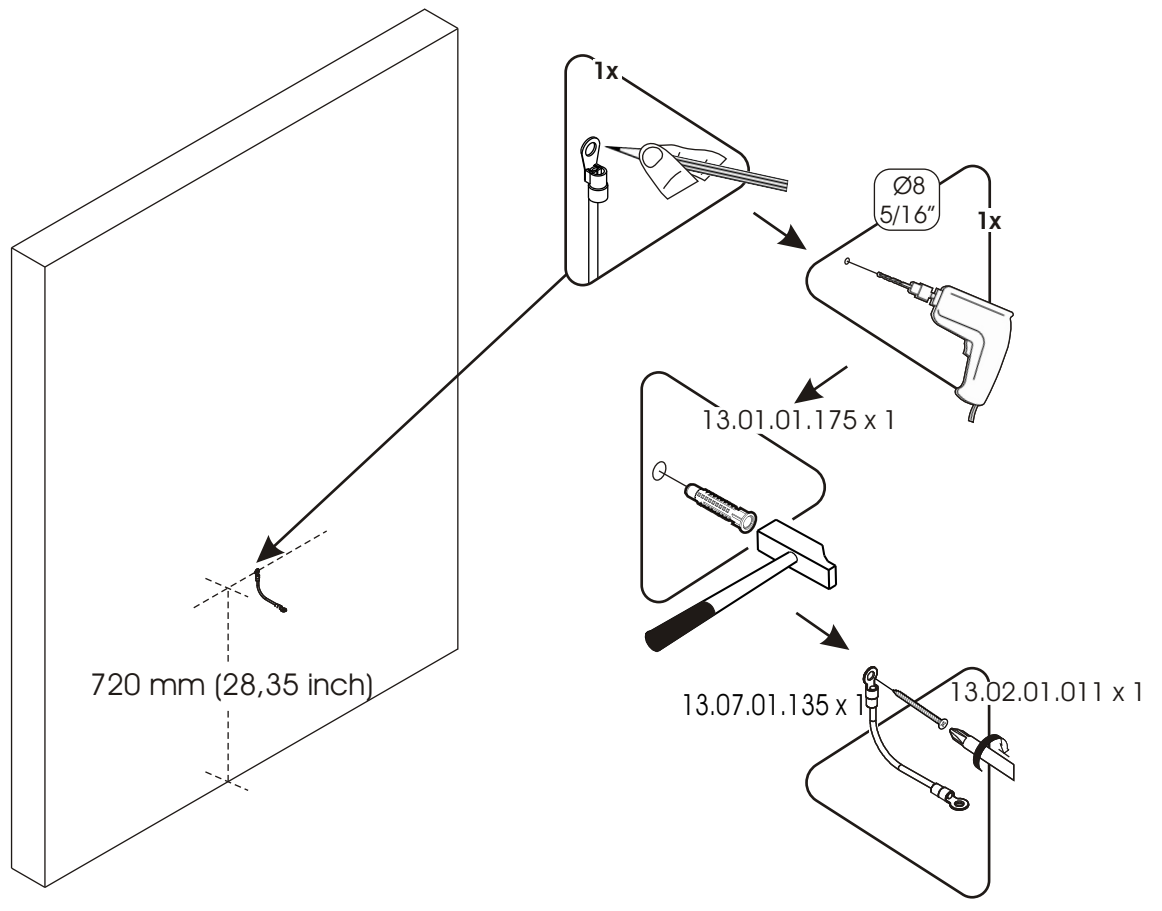
9



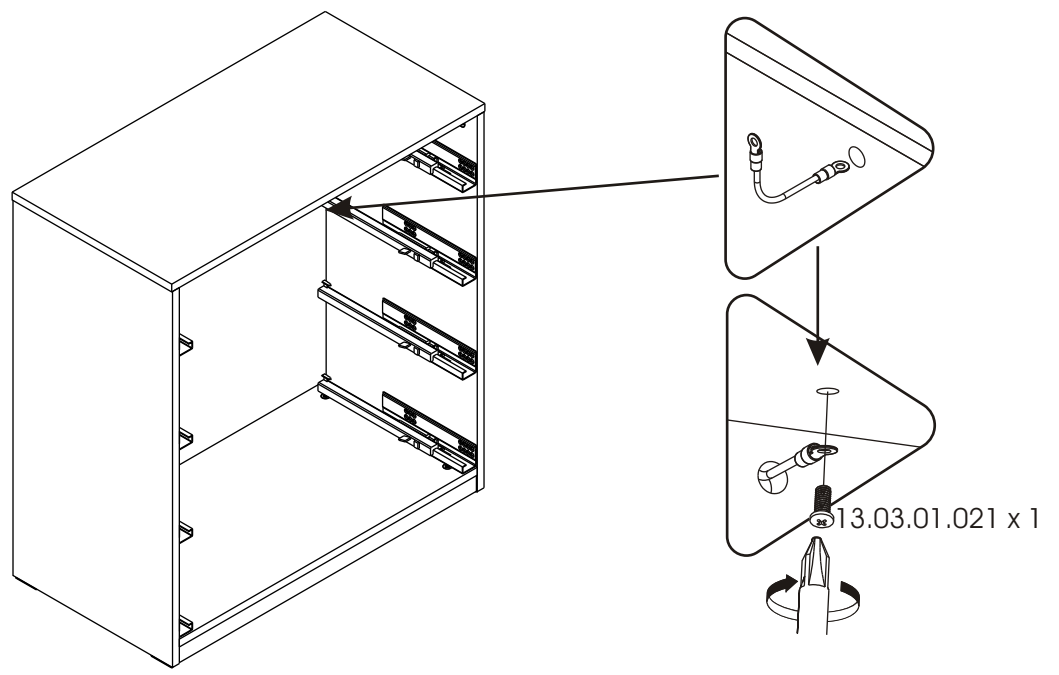
10



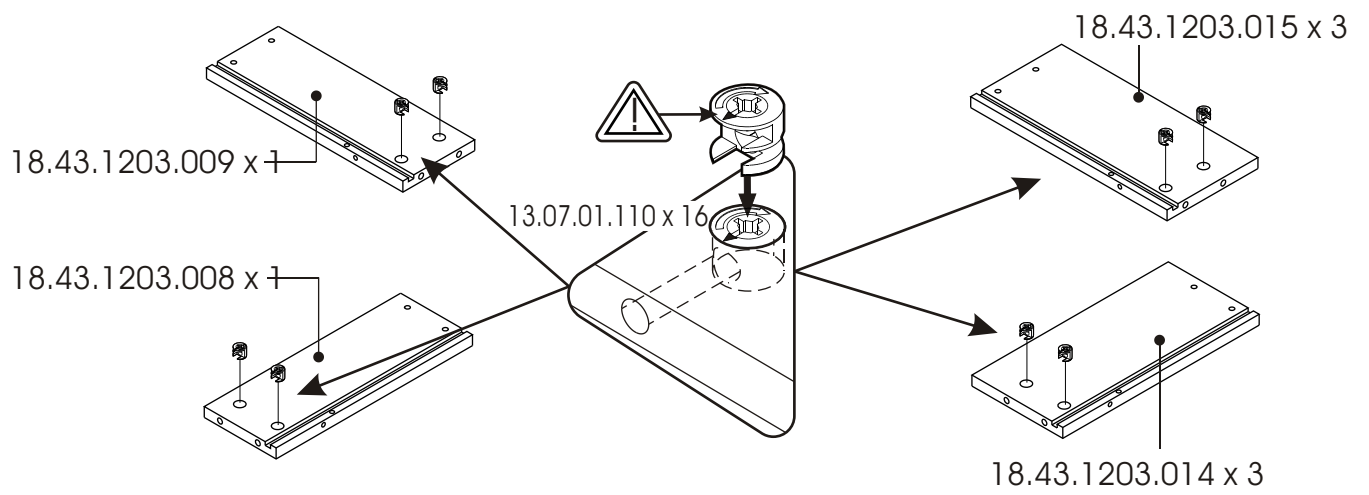
11



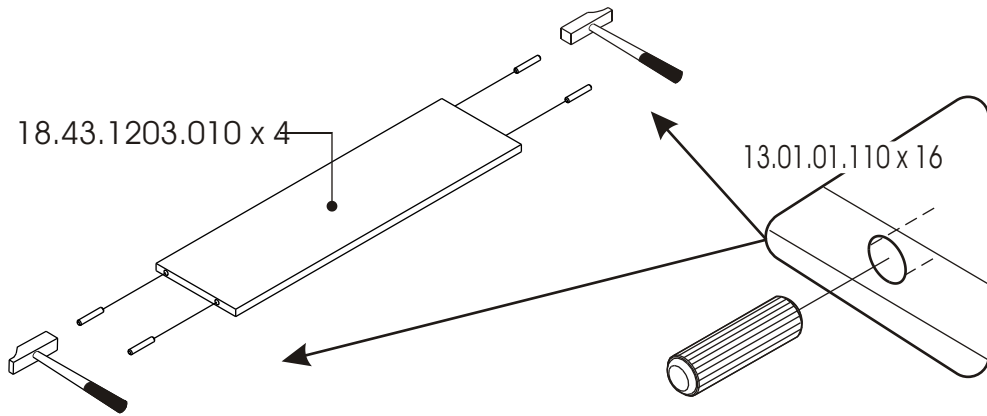
12



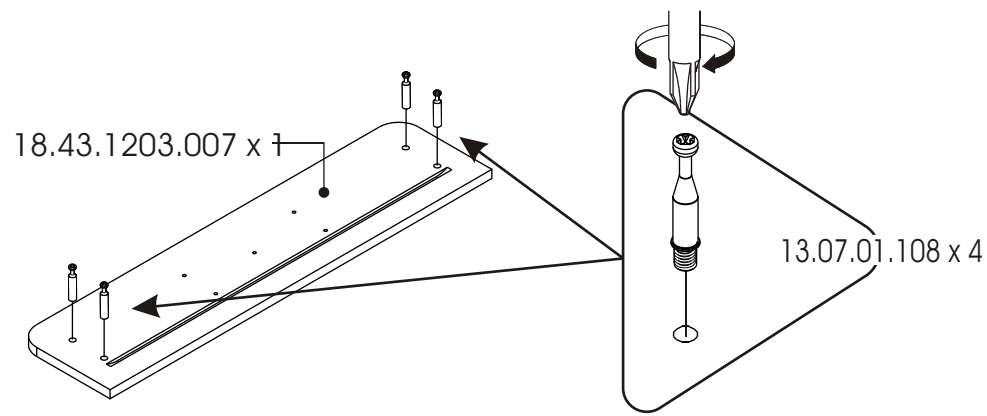
13



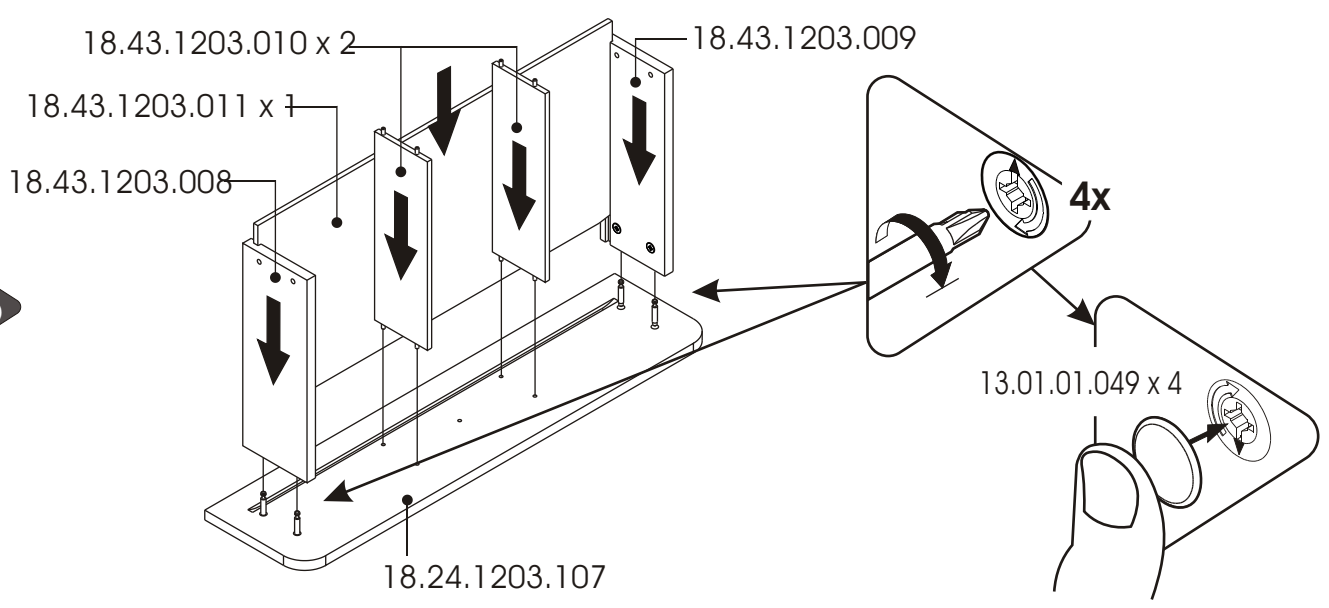
14



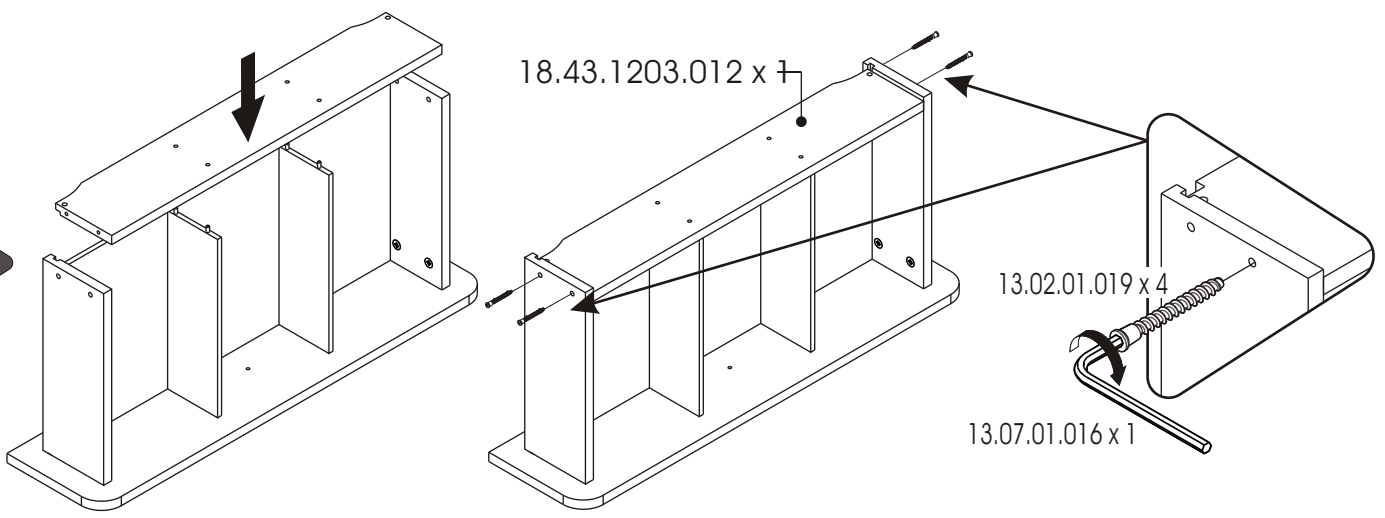
15



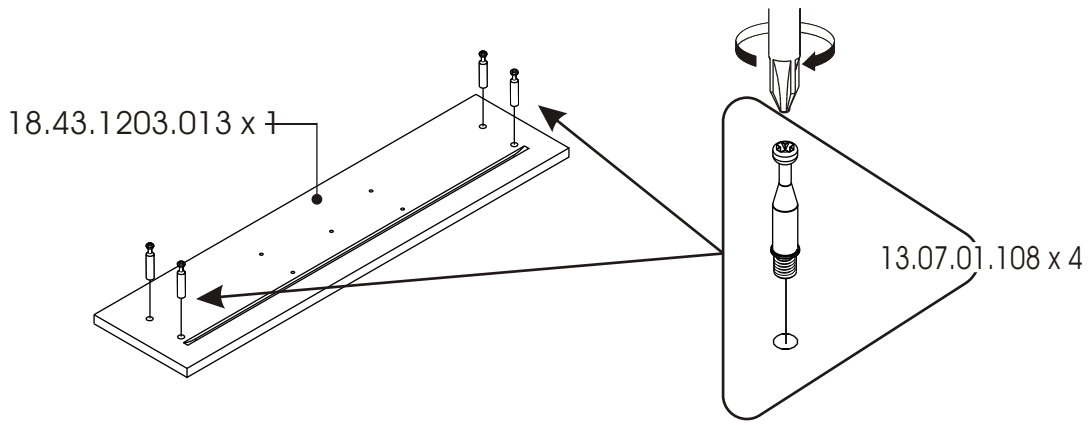
16



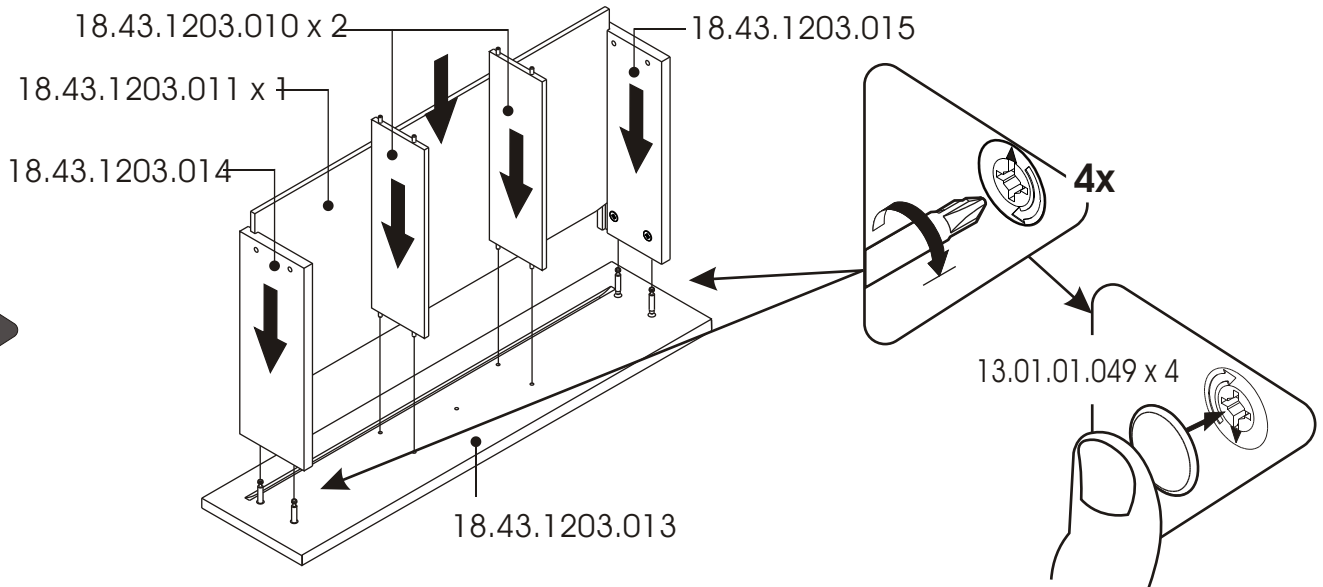
17



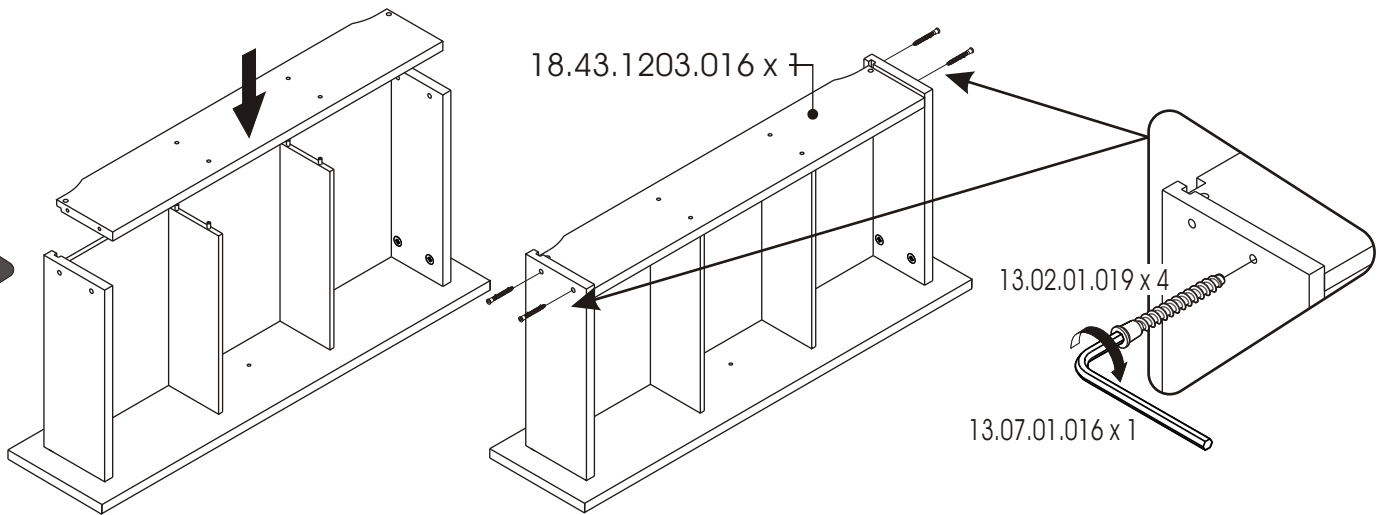
18



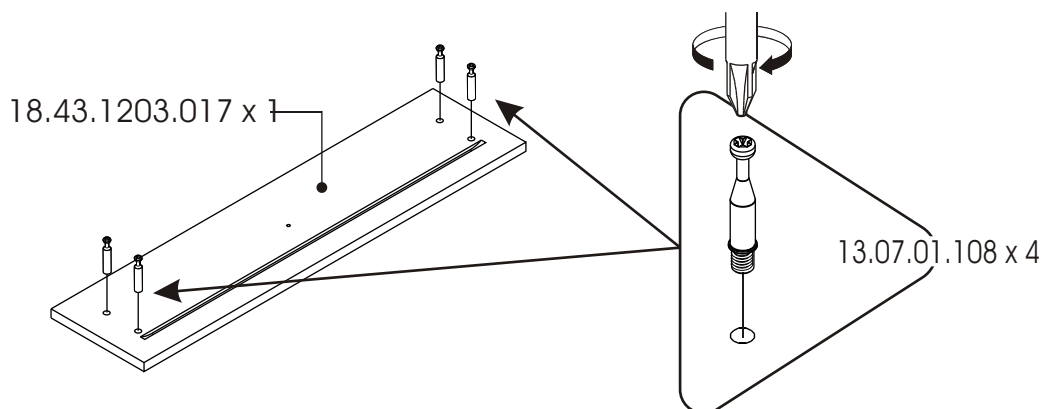
19



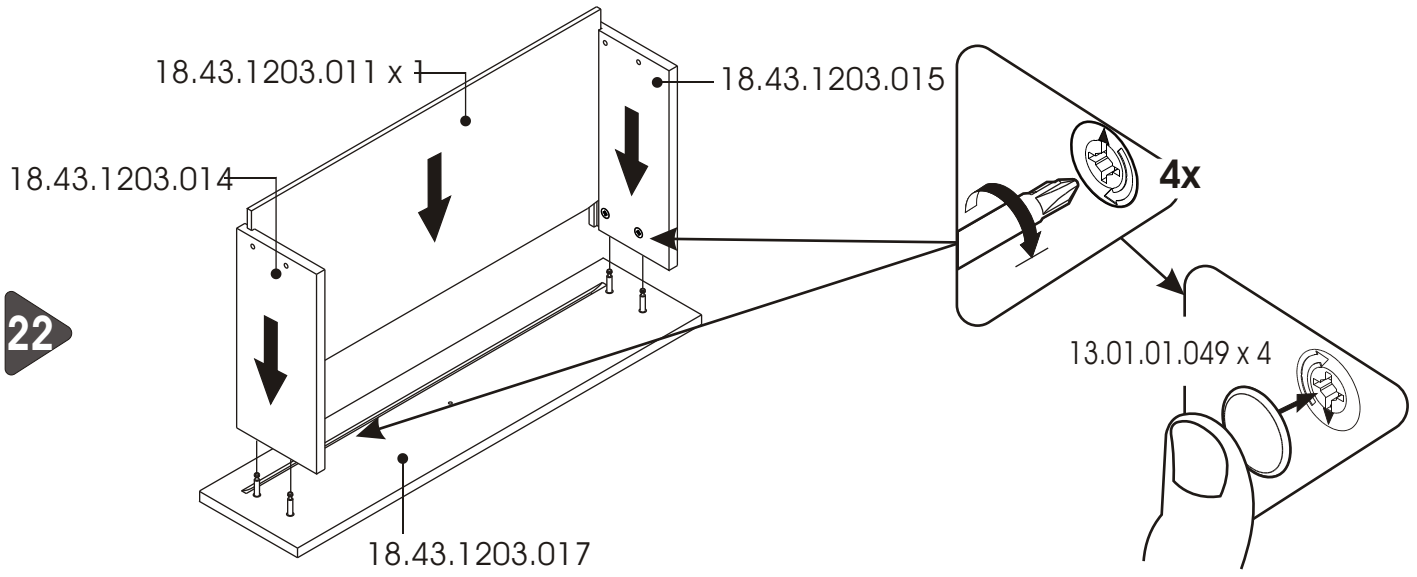
20



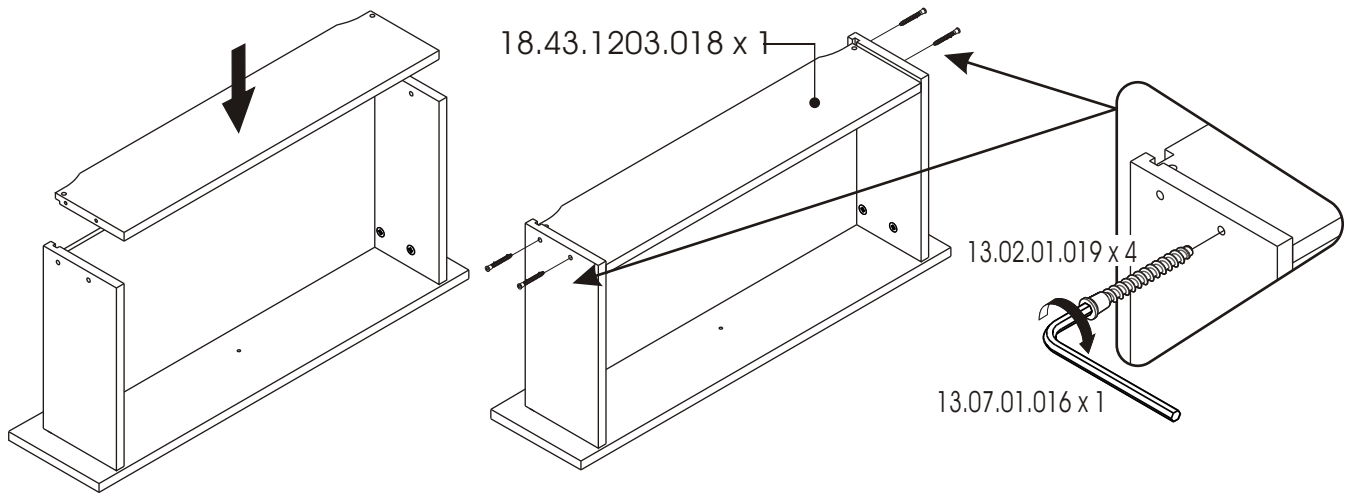
21



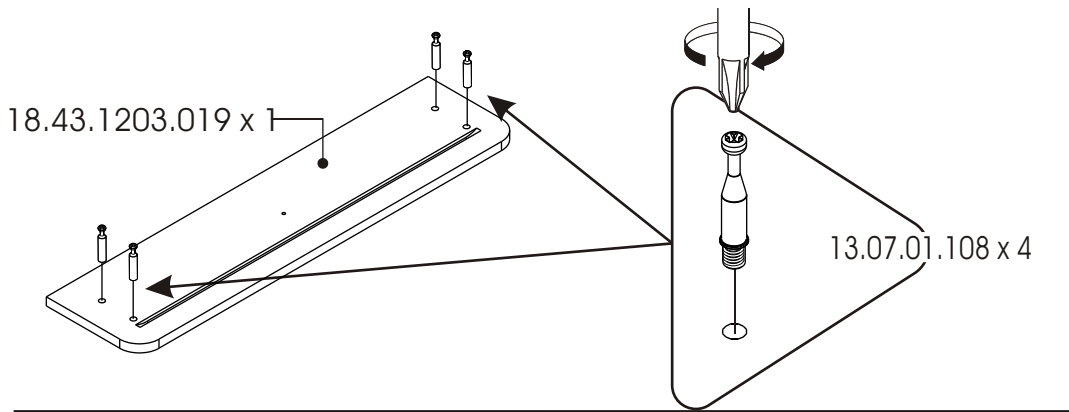
22



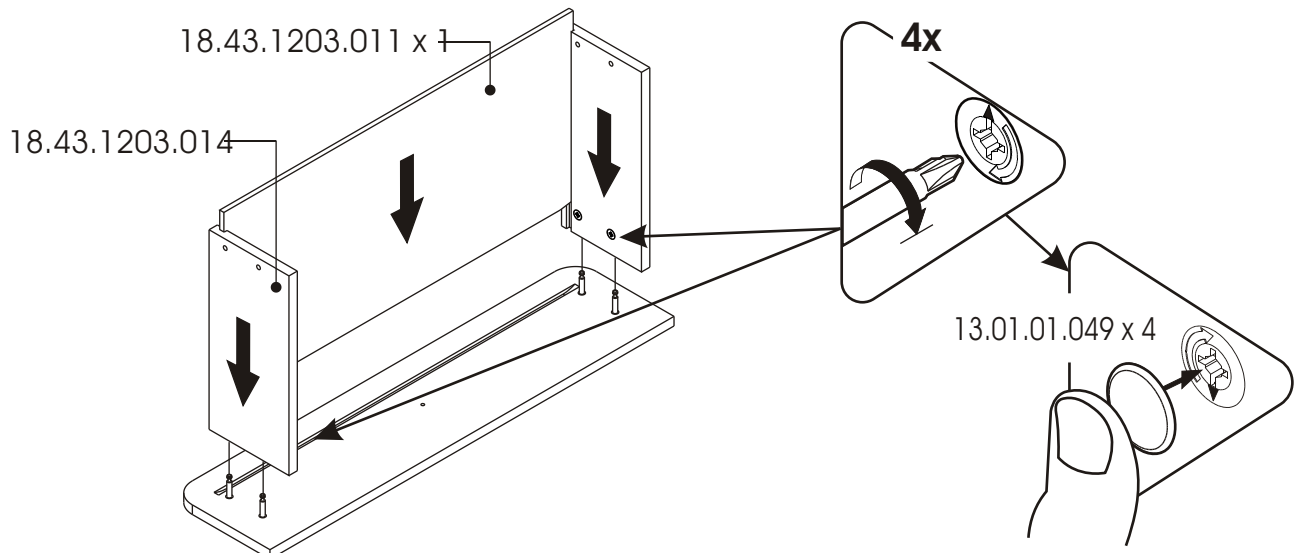
23



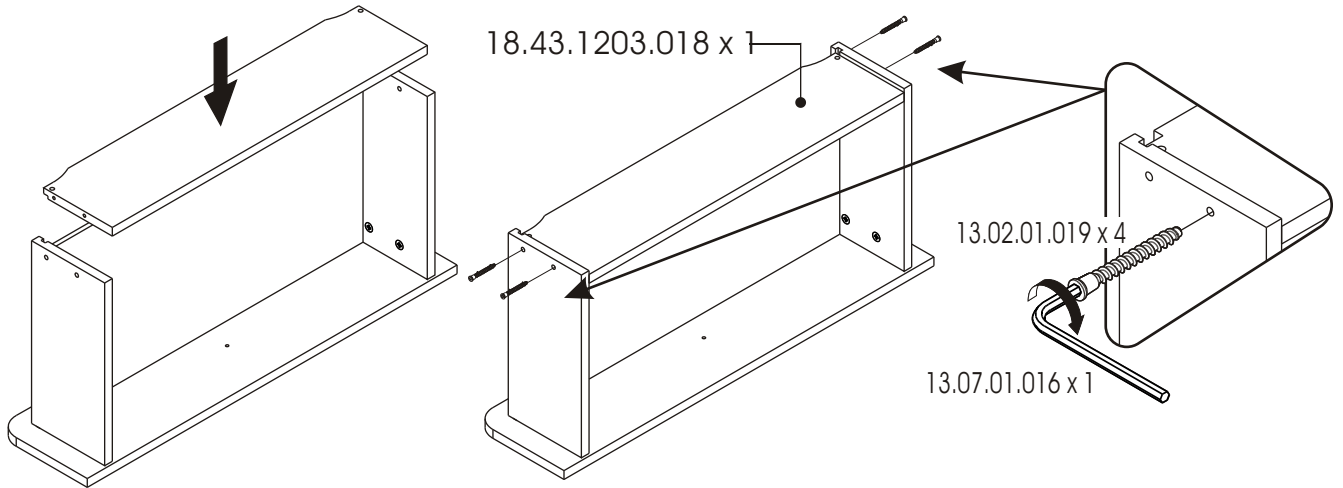
24



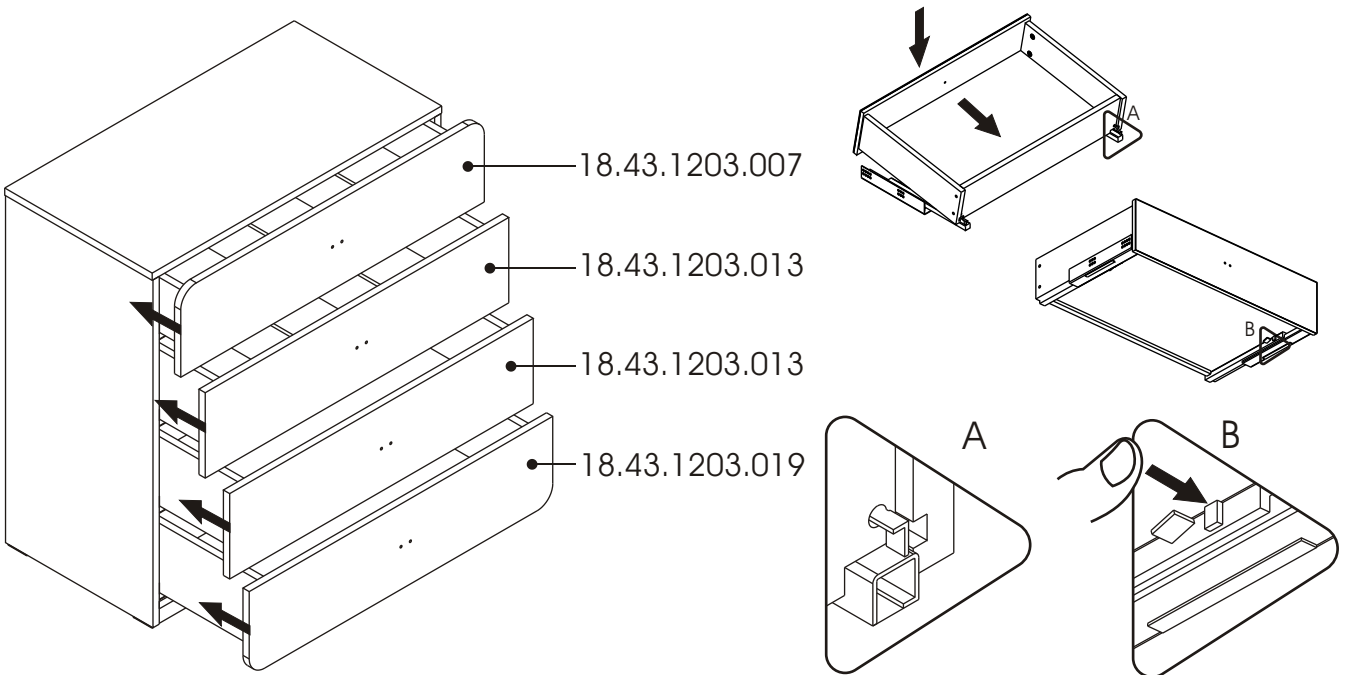
25



26



27



28

