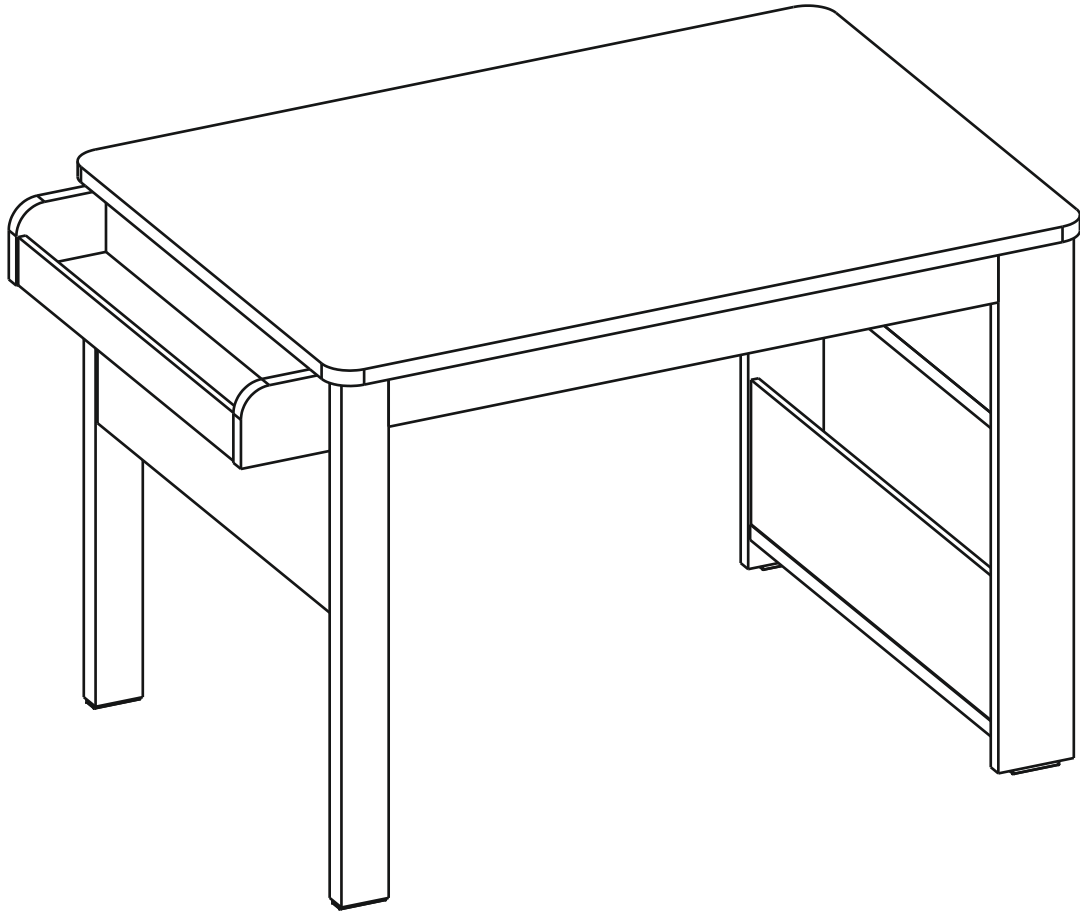
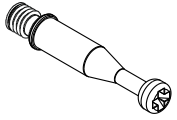
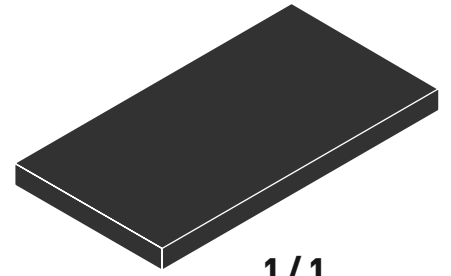
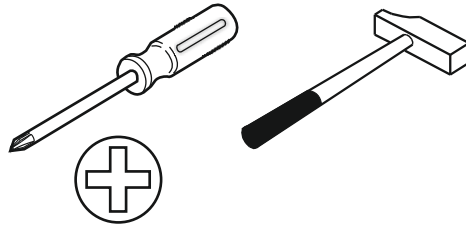
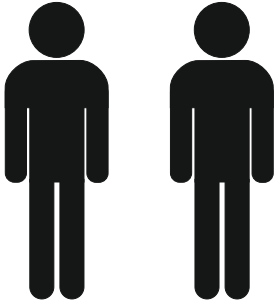


20.68.1101.00

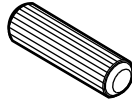




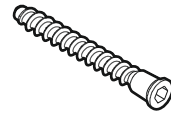
13.07.01.108 x 18



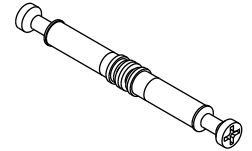
13.07.01.110 x 24



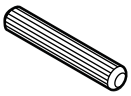
13.01.01.111 x 28



13.02.01.019 x 3



13.07.01.109 x 4



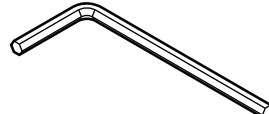
13.01.01.110 x 8



13.01.01.045 x 14
13.01.01.046 x 8

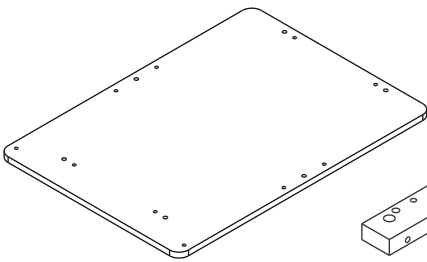


13.07.01.296 x 2

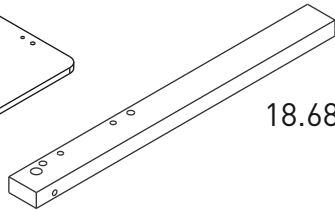


13.07.01.016 x 1

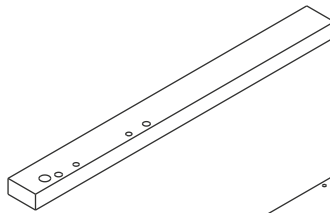
1/1



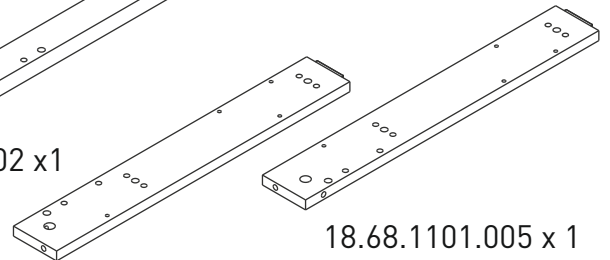
18.68.1101.001 x 1



18.68.1101.003 x 1

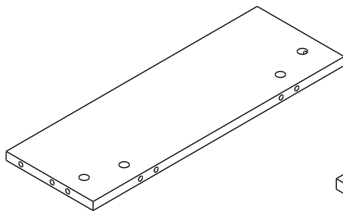


18.68.1101.002 x 1

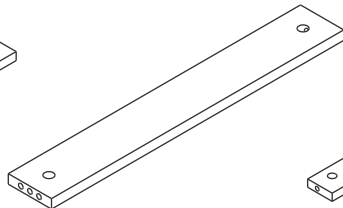


18.68.1101.004 x 1

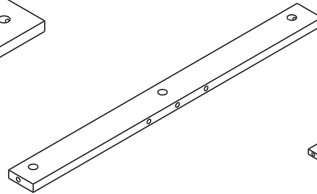
18.68.1101.005 x 1



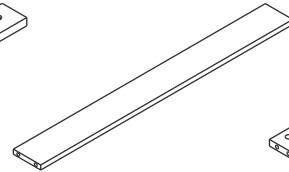
18.68.1101.007 x 1



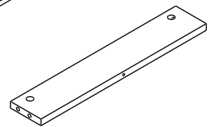
18.68.1101.008 x 2



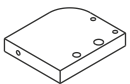
18.68.1101.009 x 2



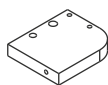
18.68.1101.012 x 1



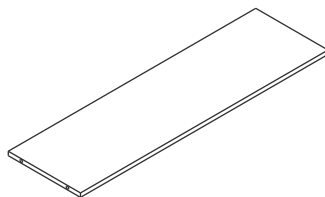
18.68.1101.013 x 1



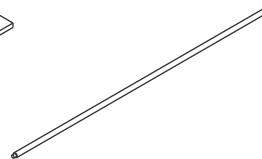
18.68.1101.011 x 1



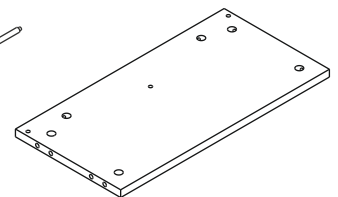
18.68.1101.010 x 1



18.68.1101.014 x 1

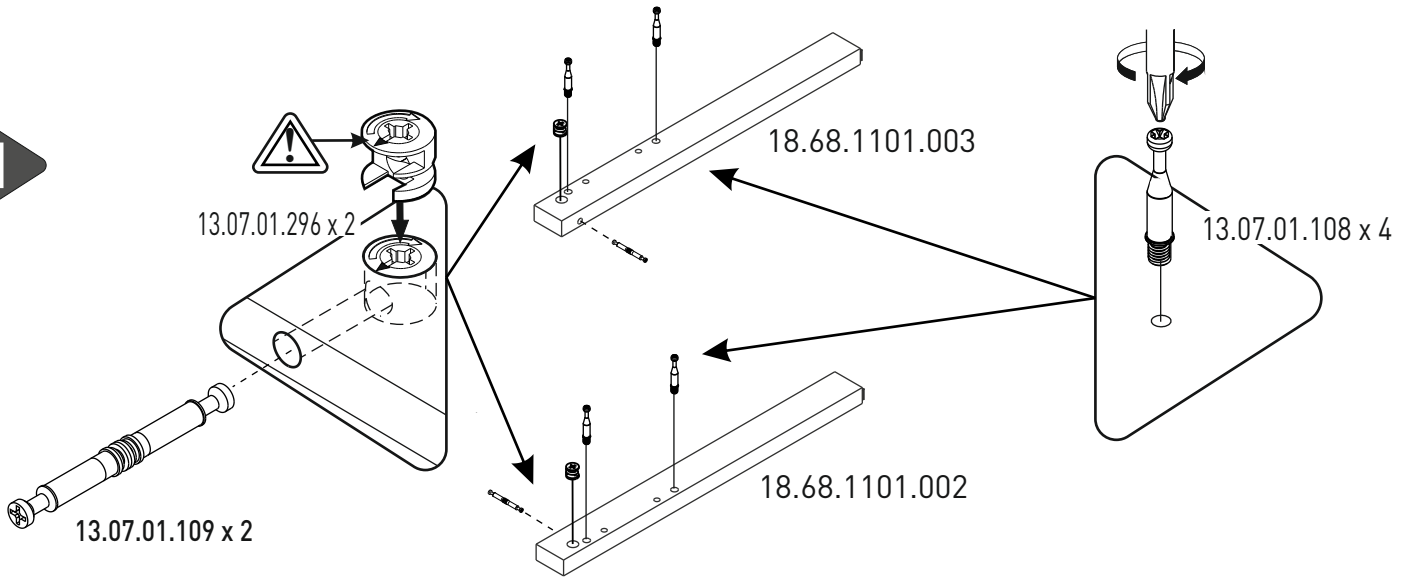


18.68.1101.201 x 2

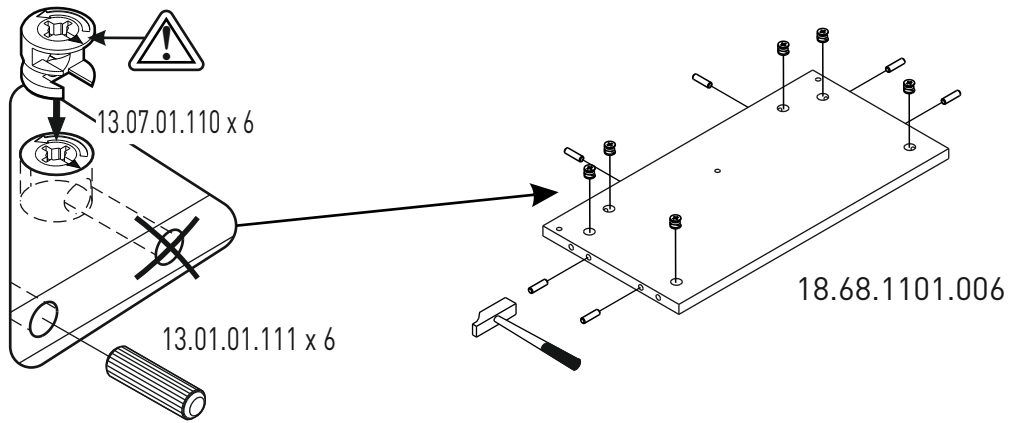


18.68.1101.006 x 1

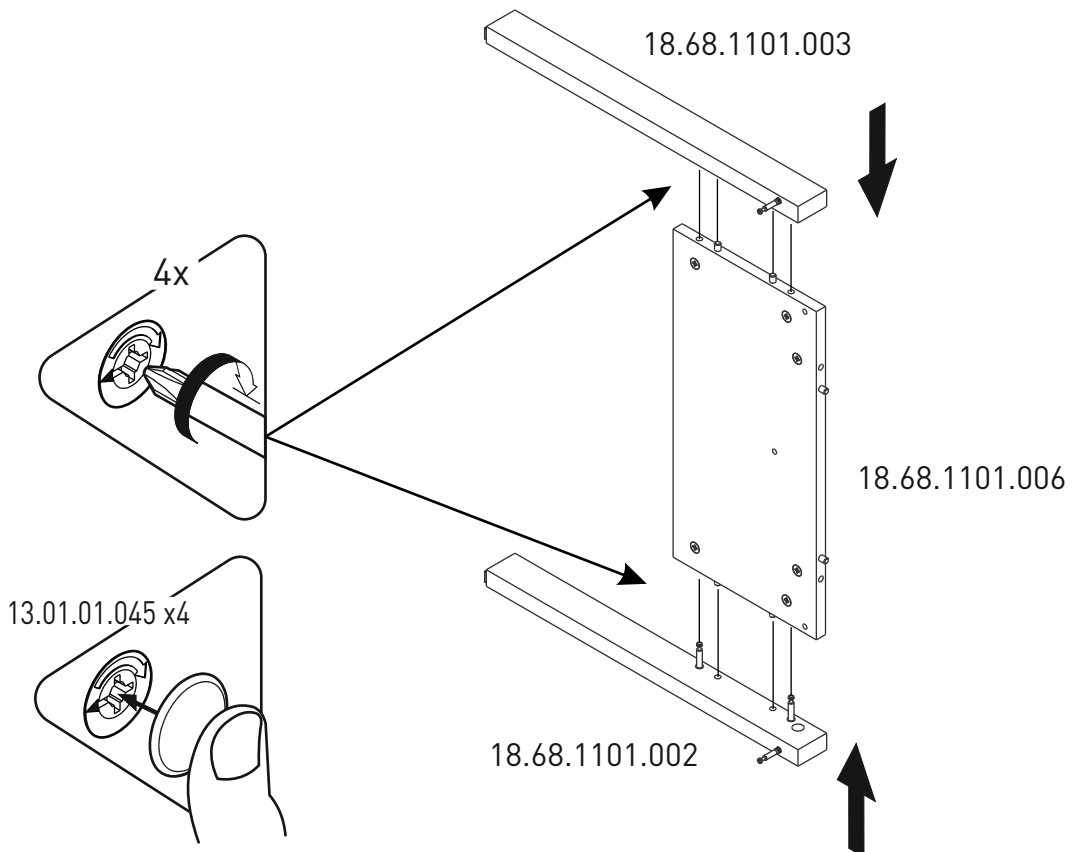
1



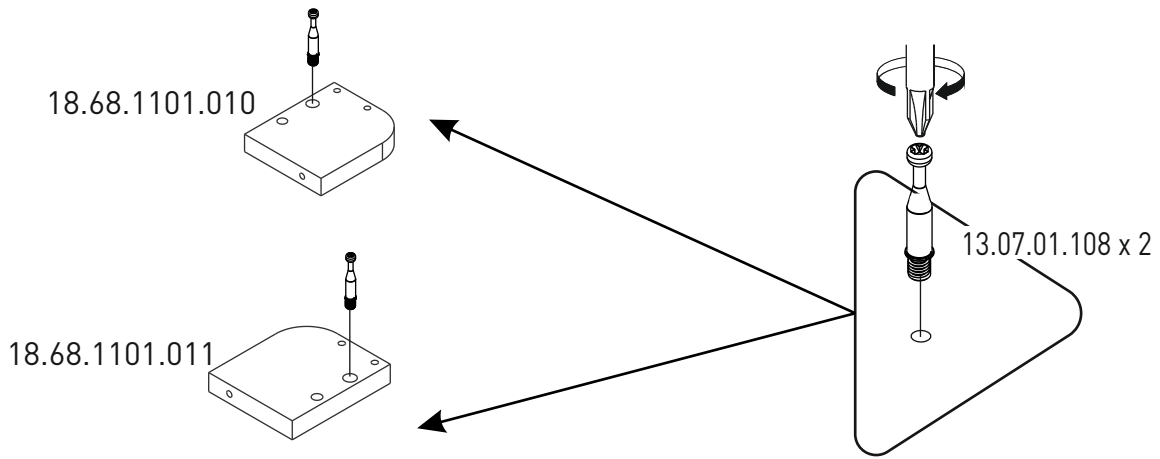
2



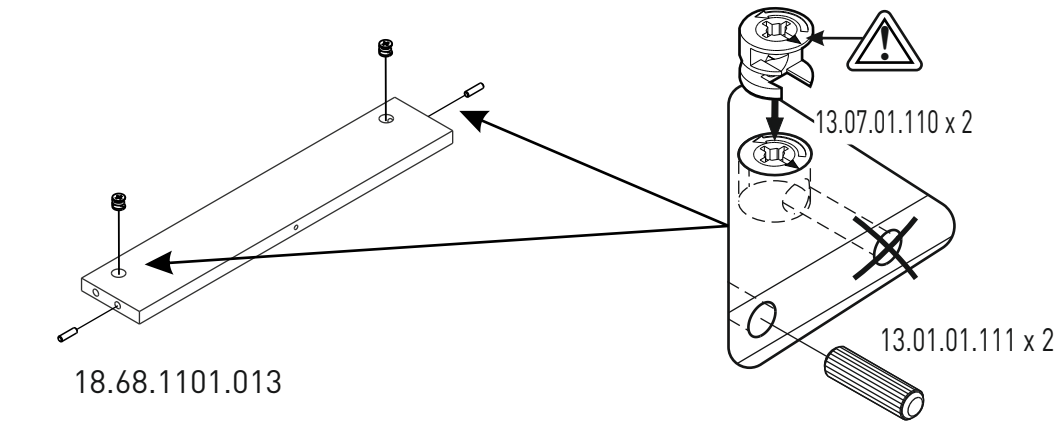
3



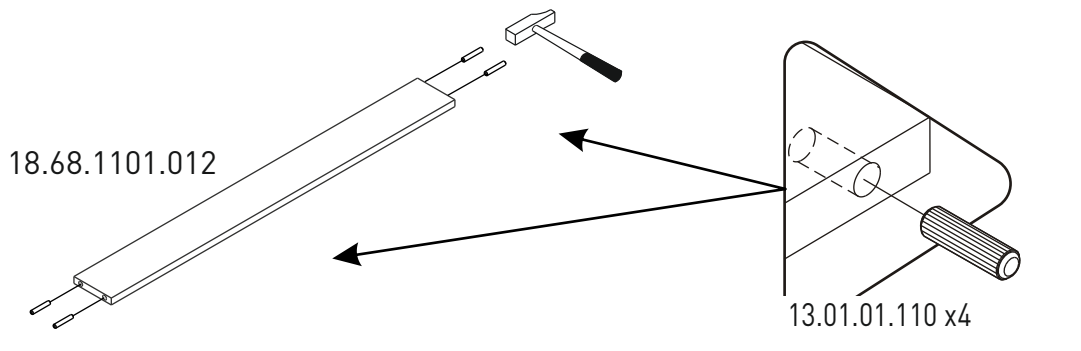
4



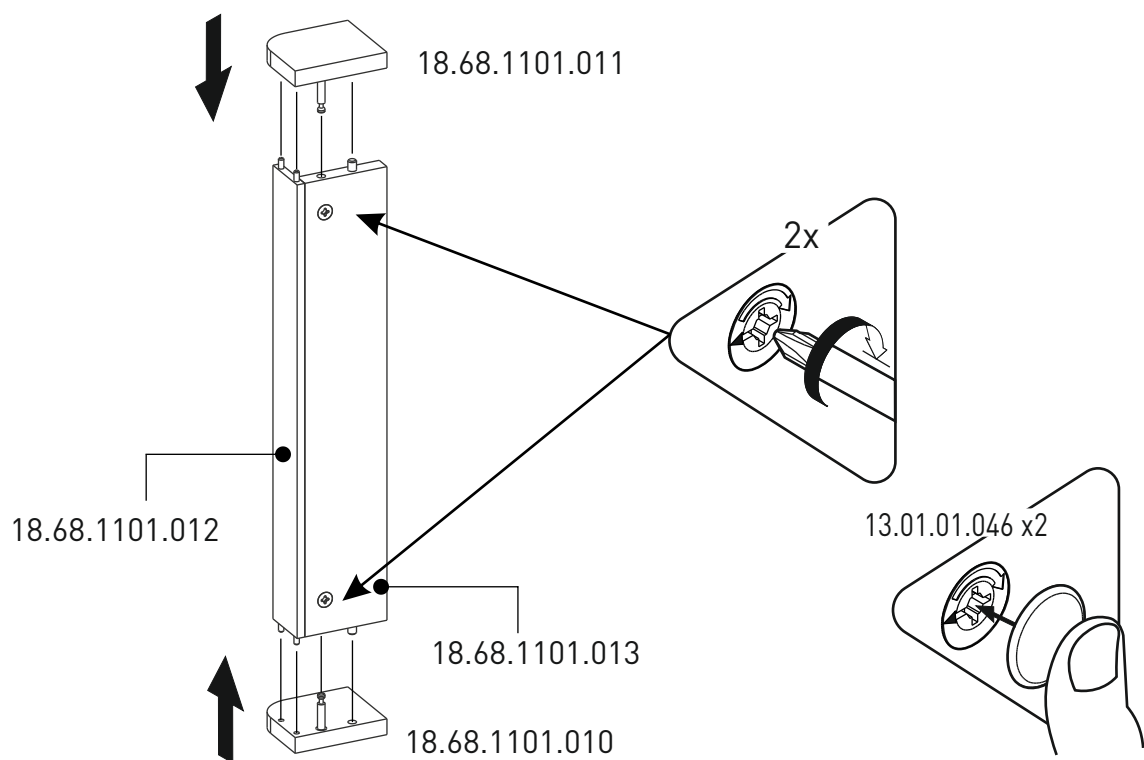
5



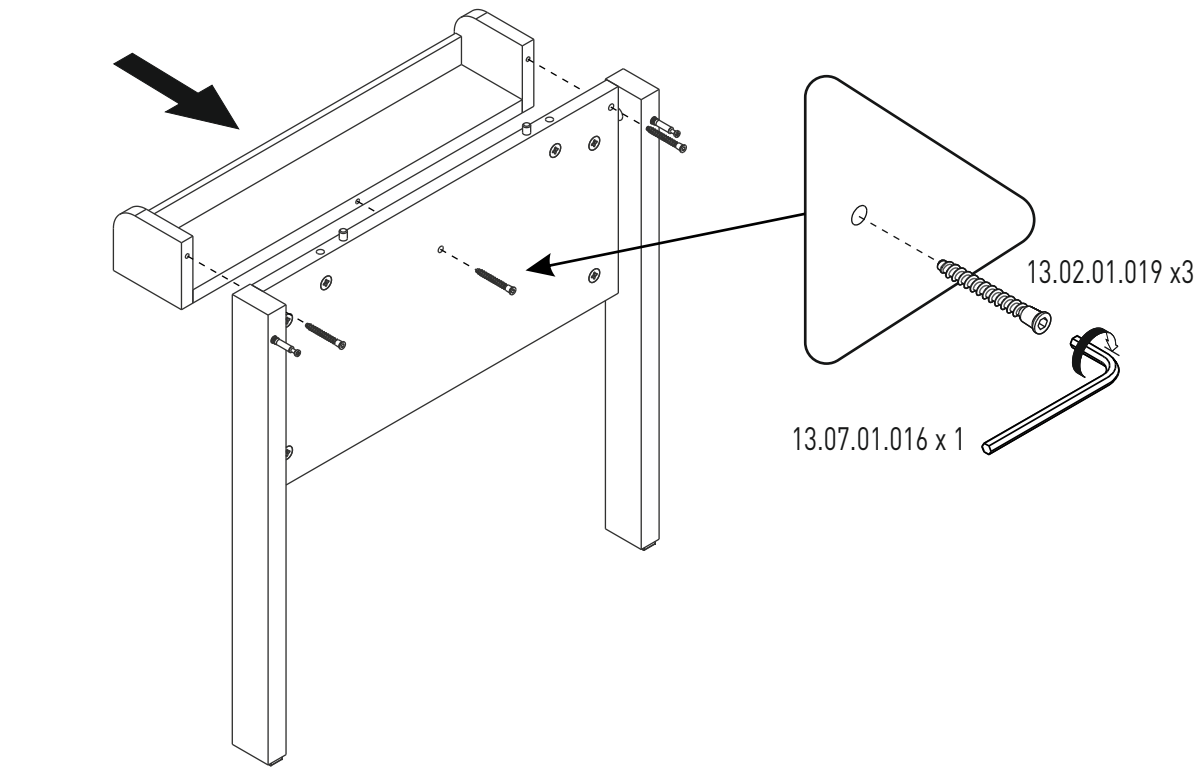
6



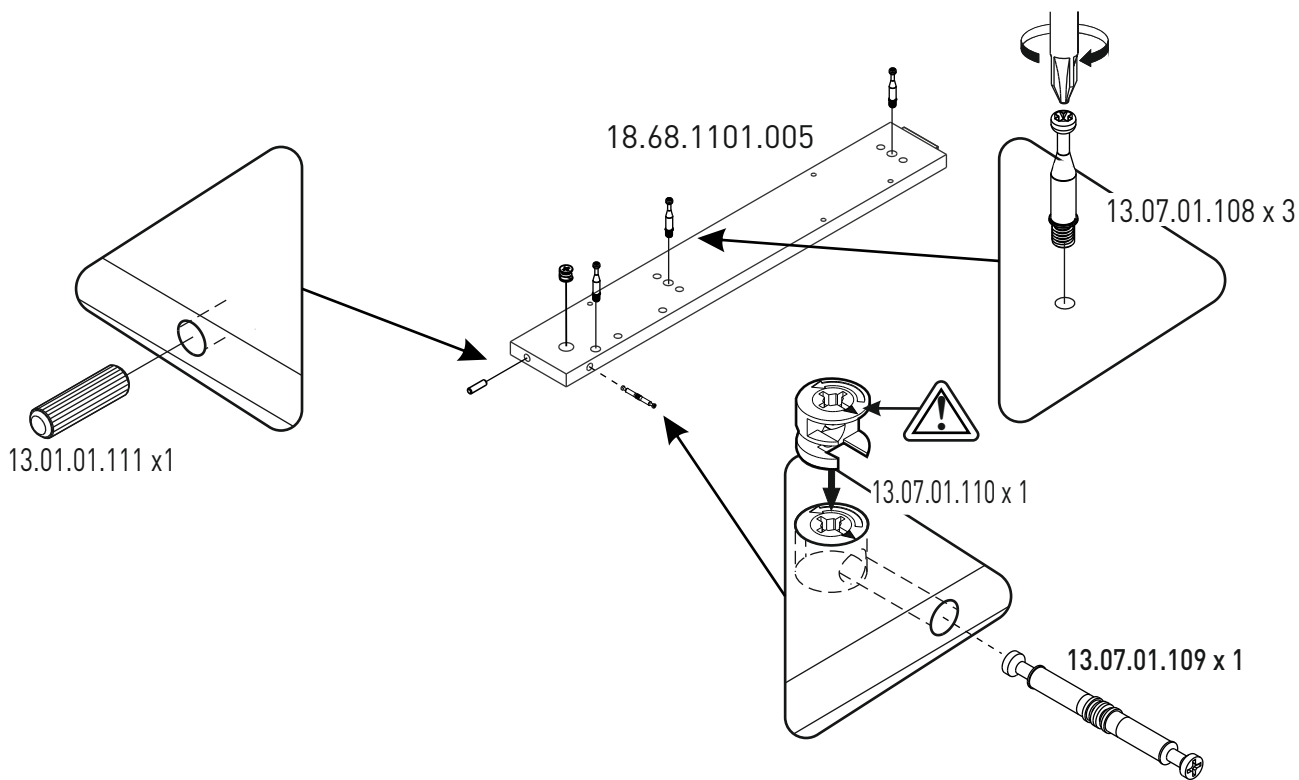
7



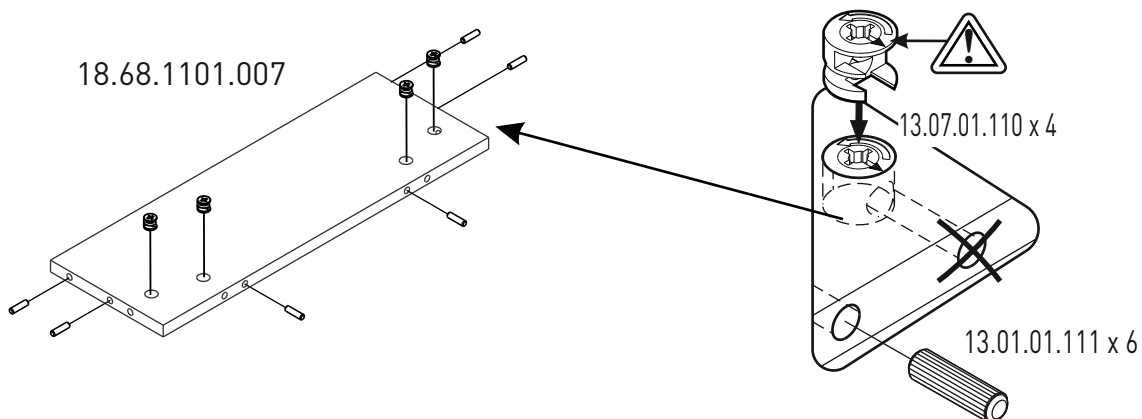
8



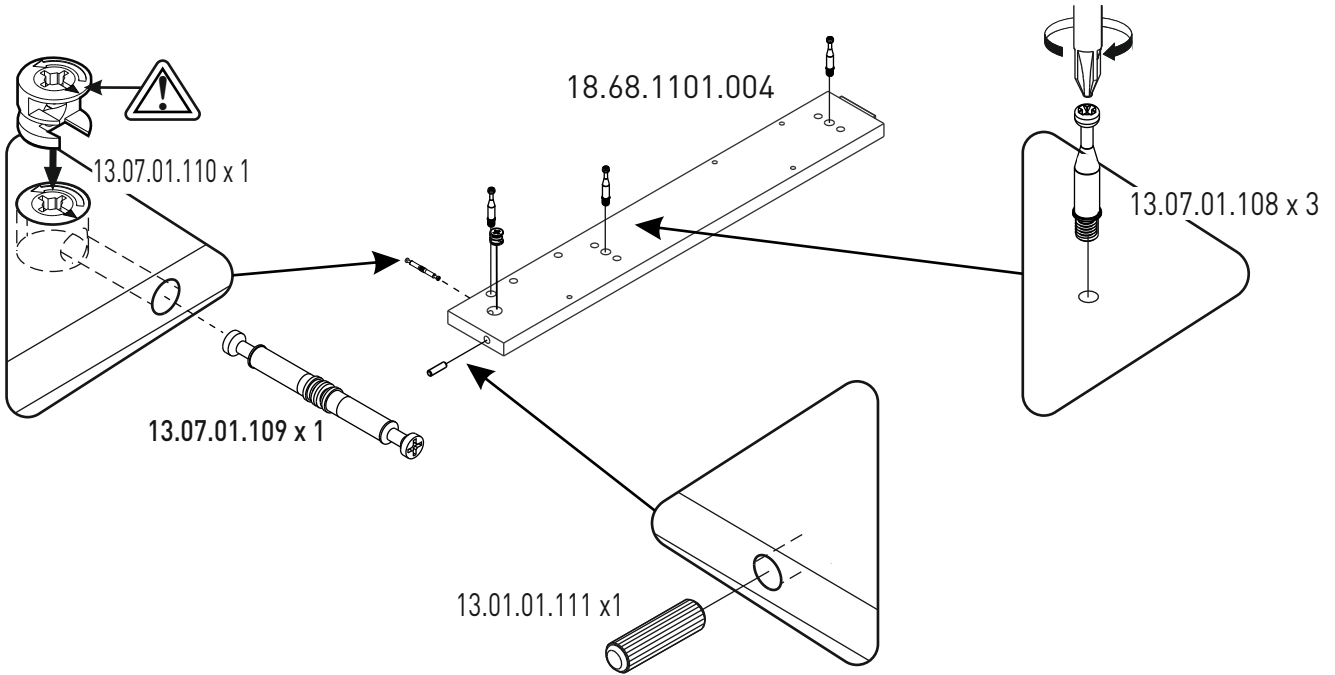
9



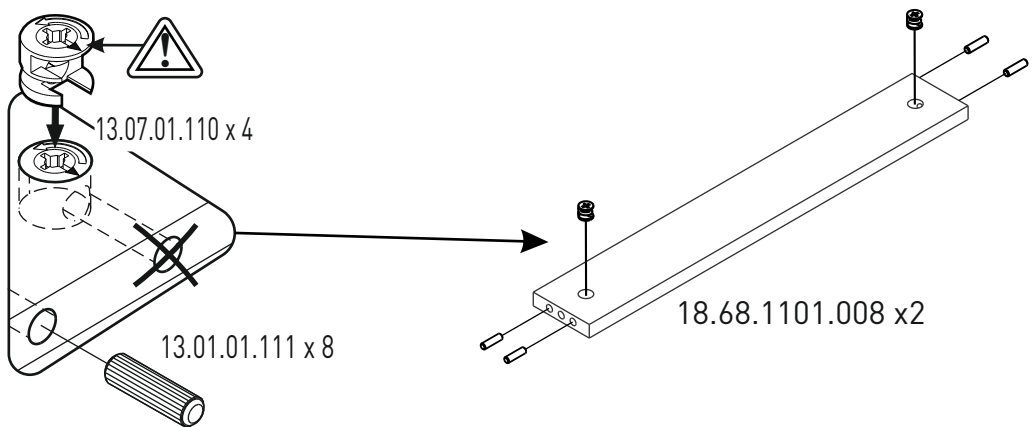
10



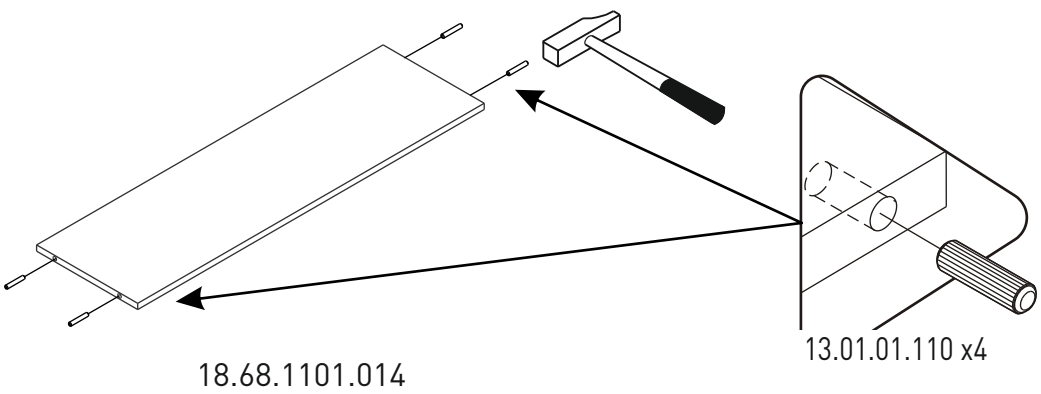
11



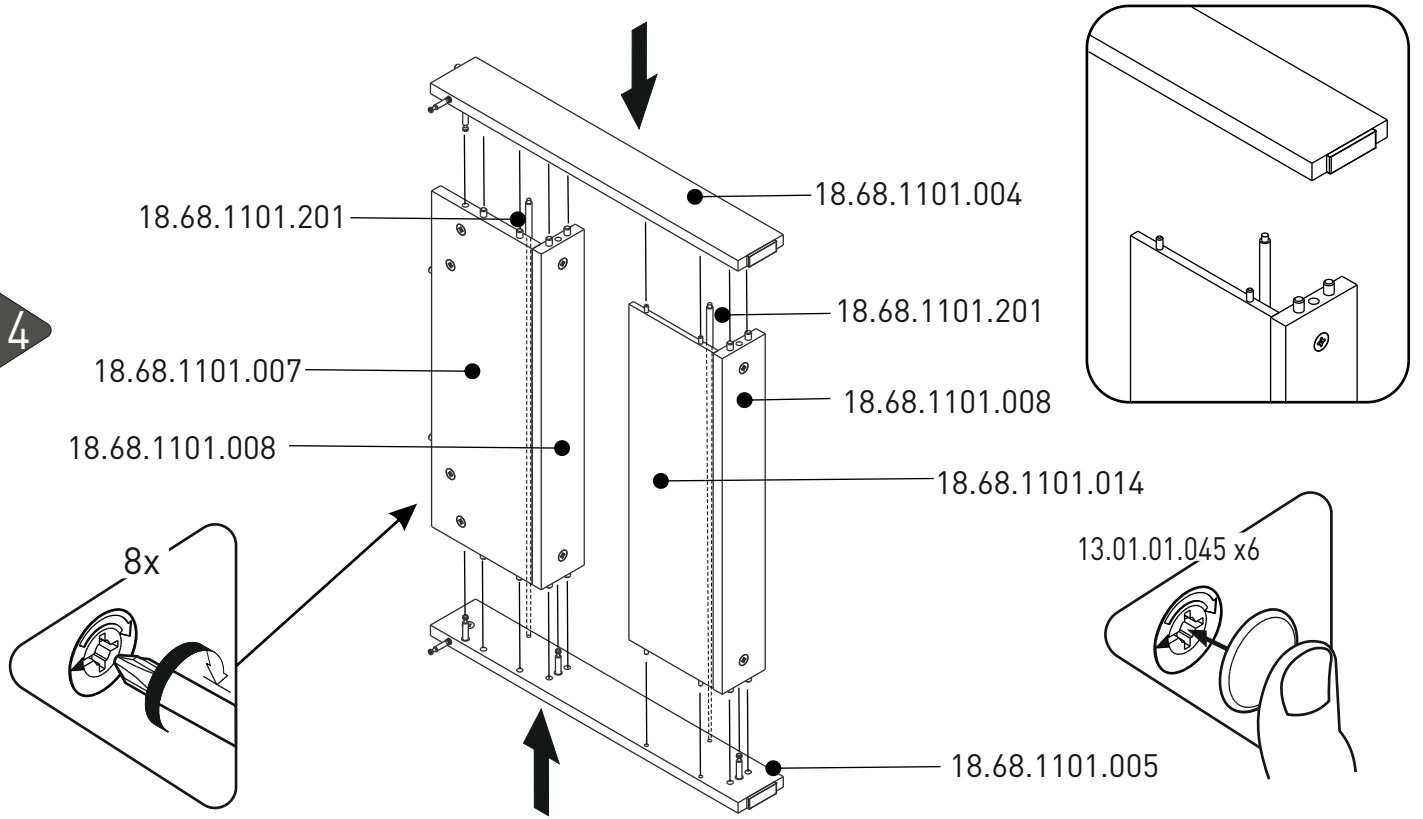
12



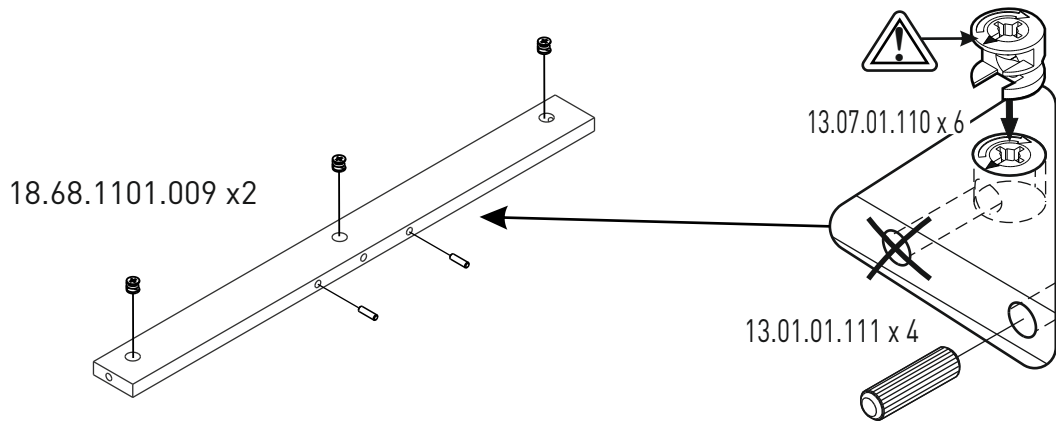
13



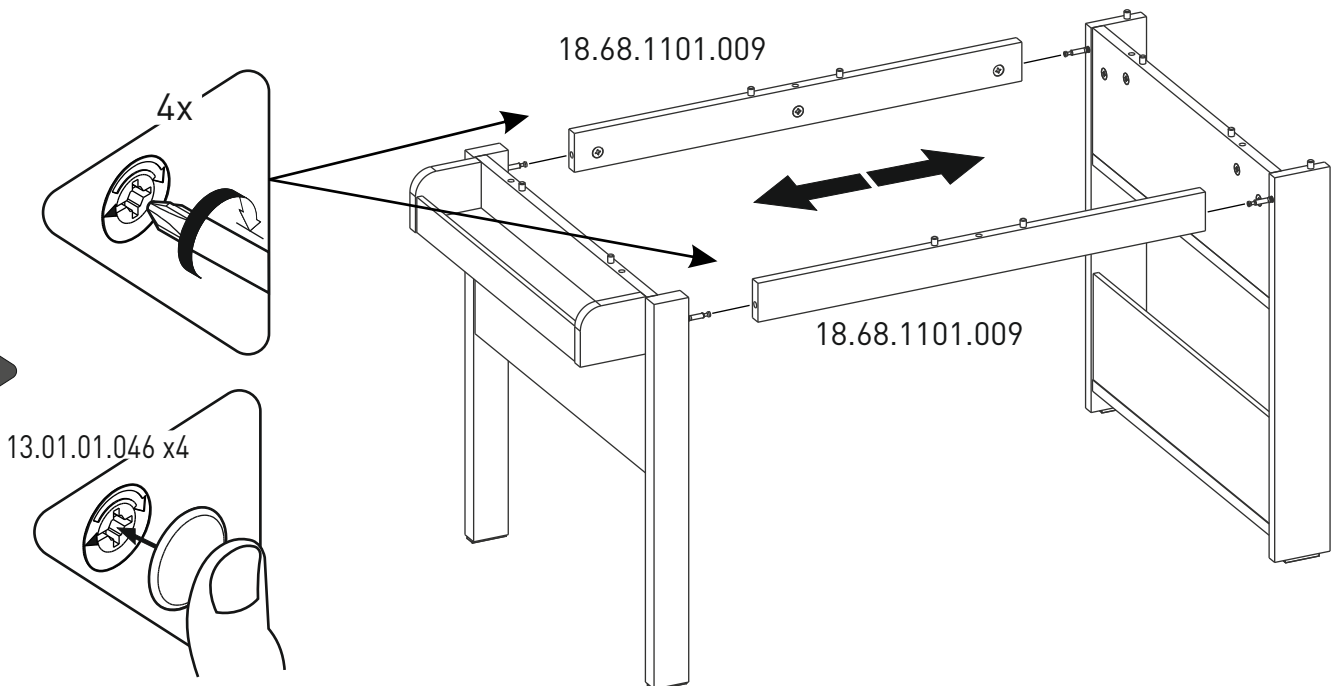
14



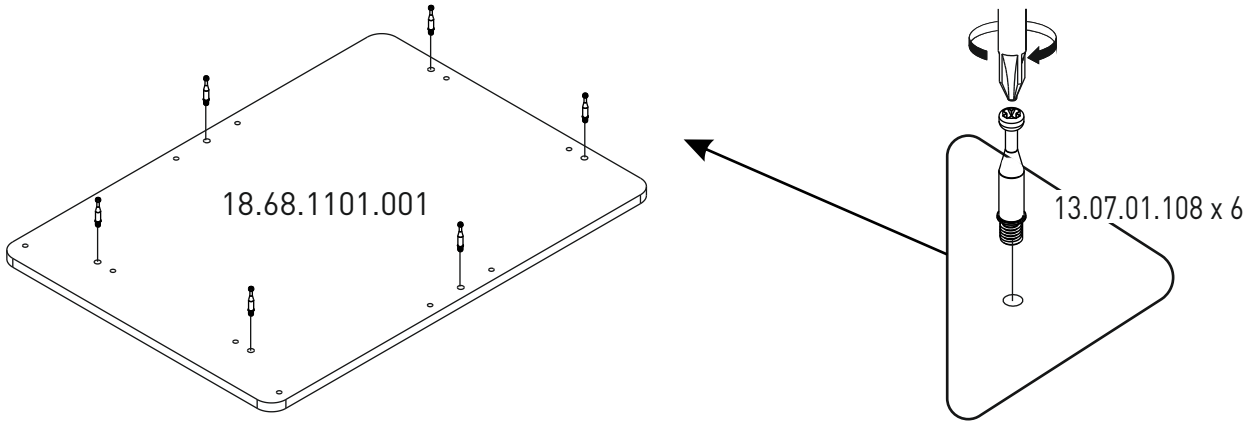
15



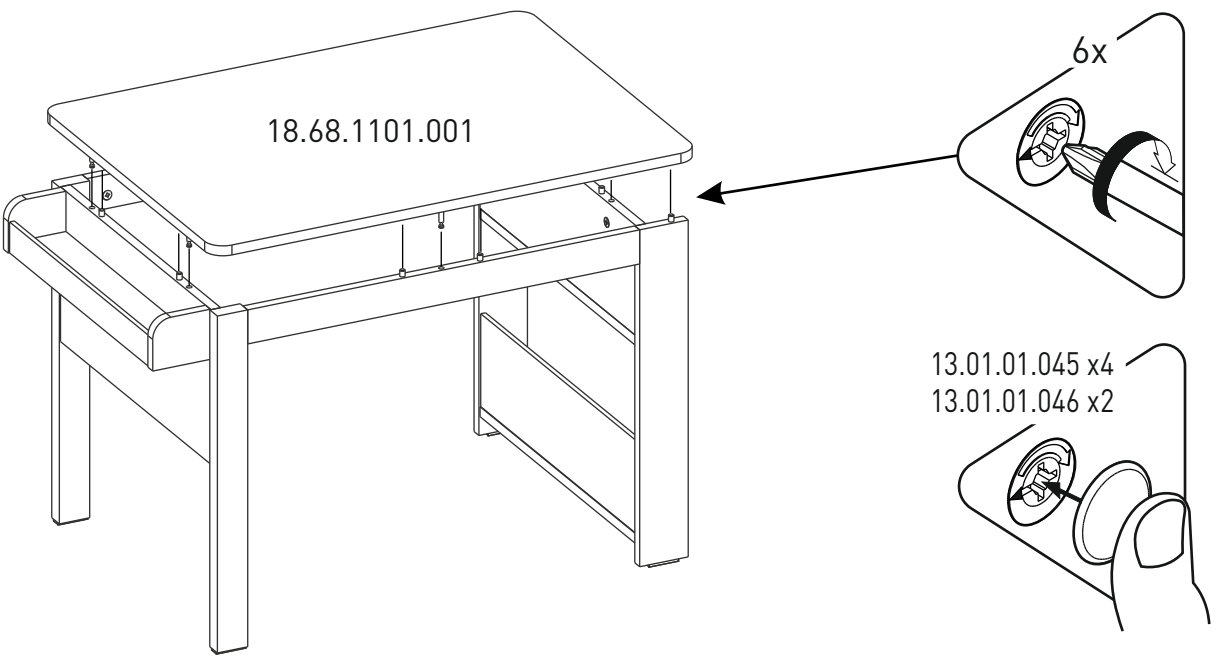
16



17



18



i

