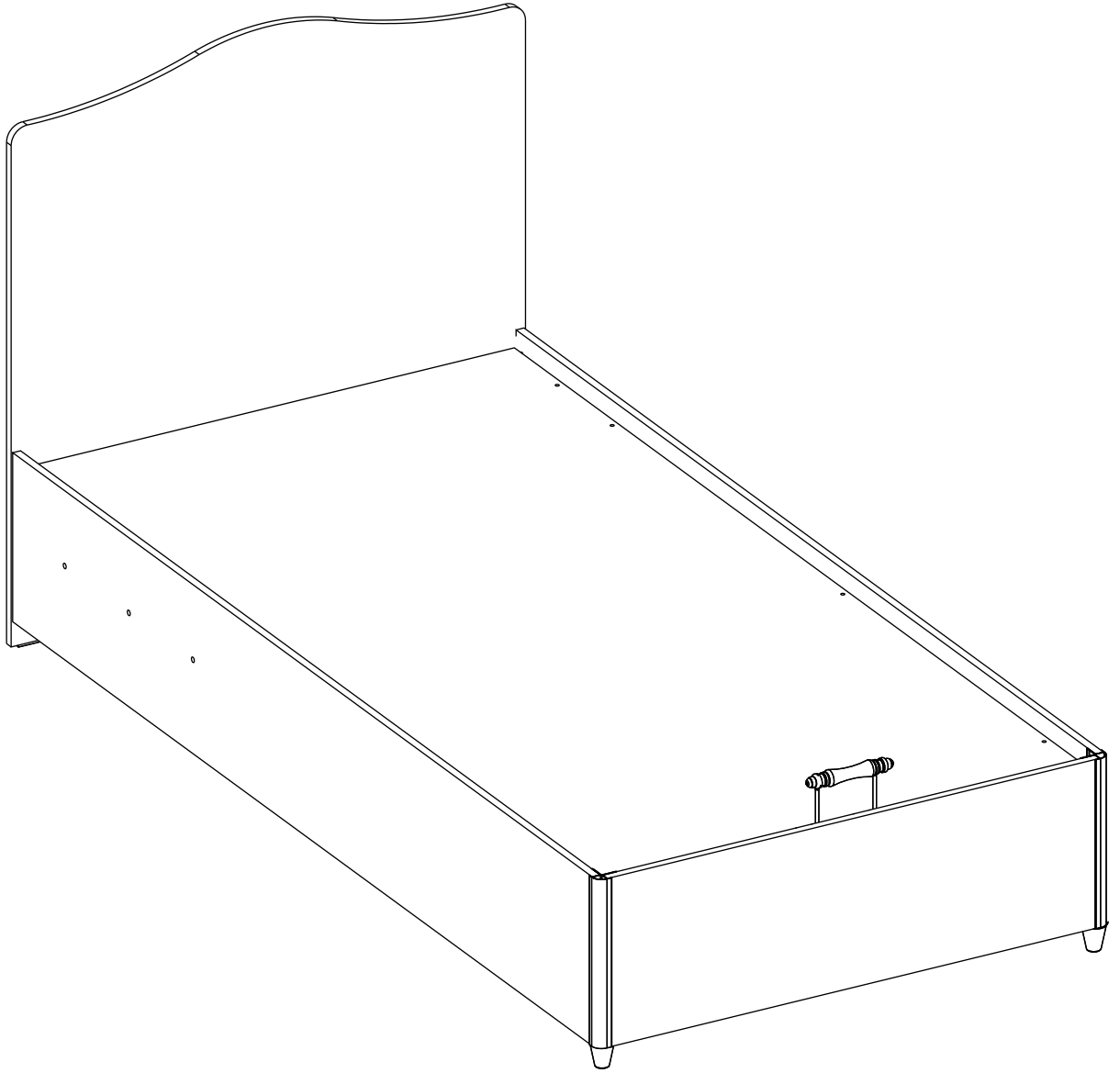
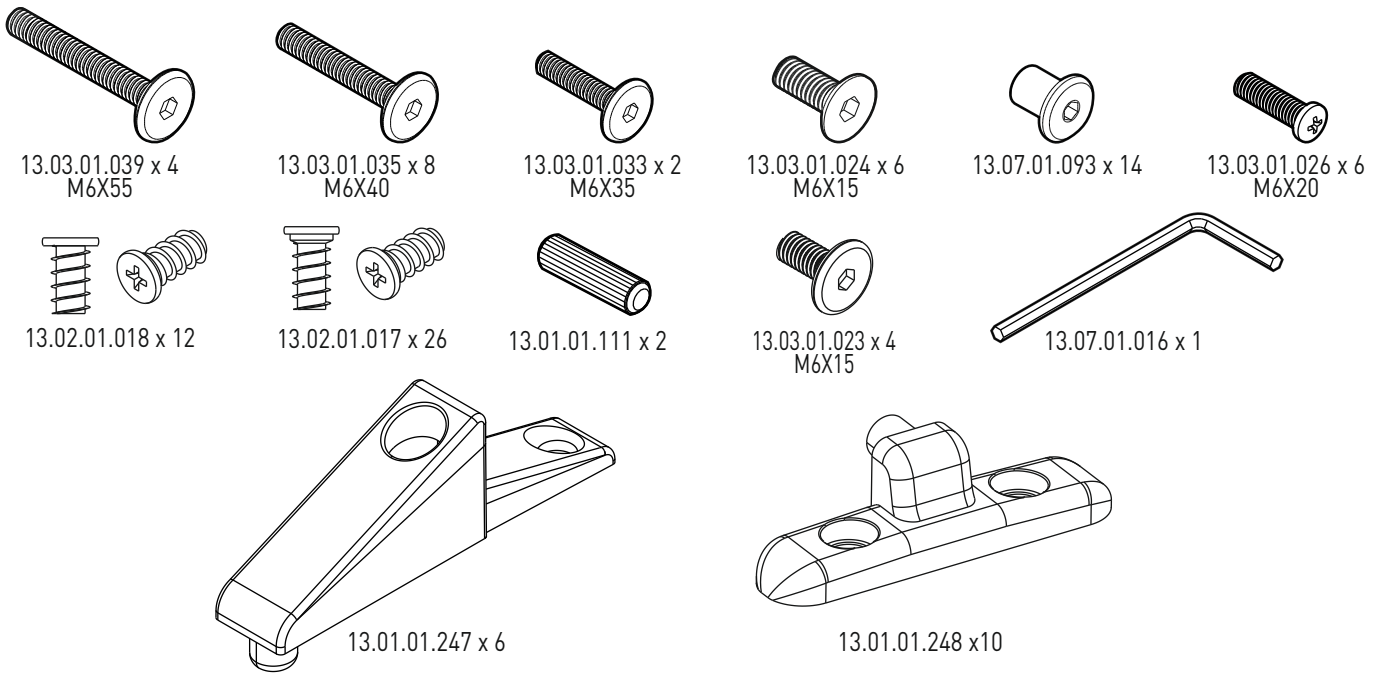
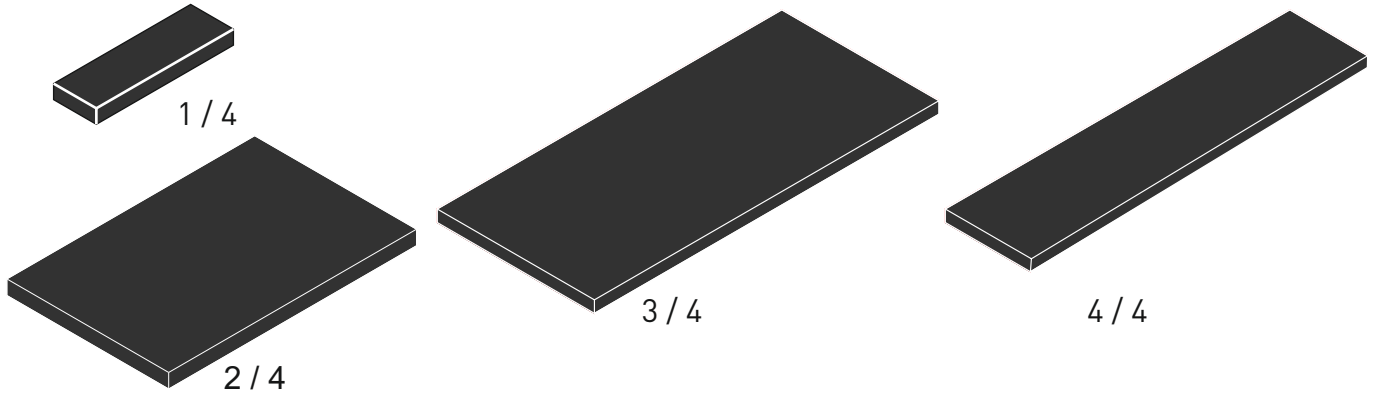
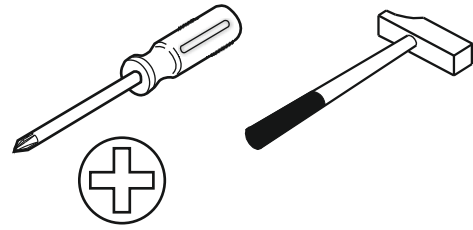
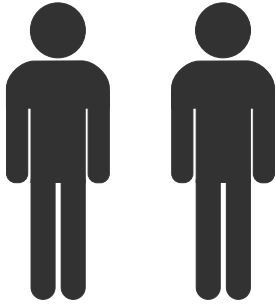
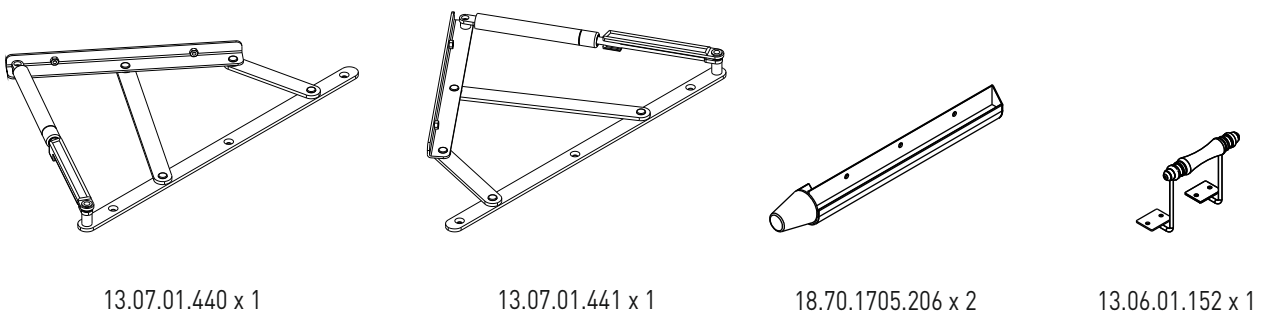


20.70.1705.00

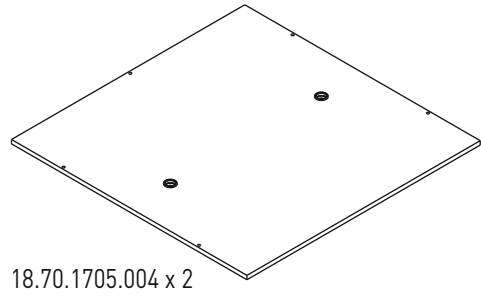
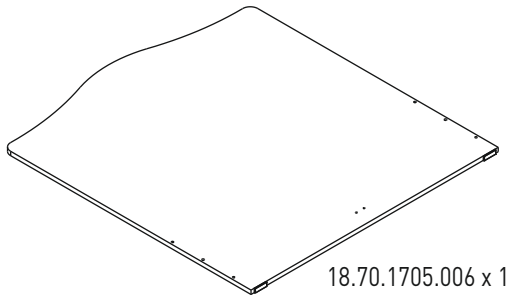




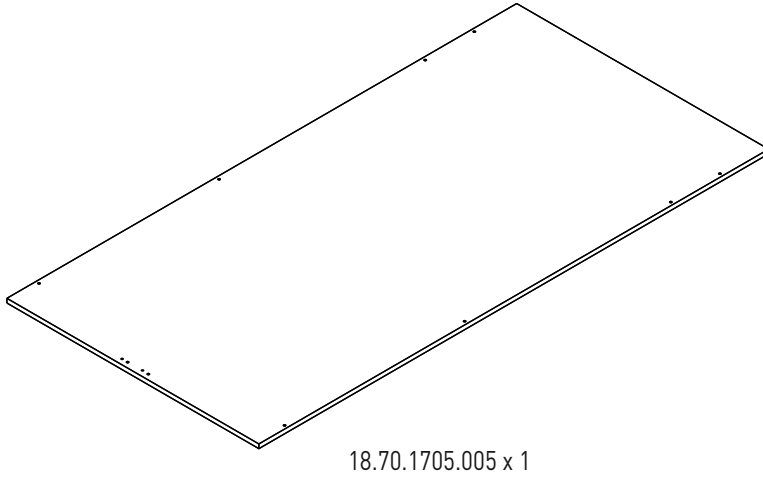
1 / 4



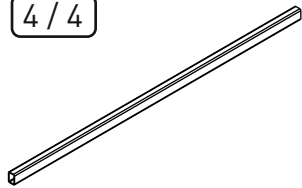
2/4



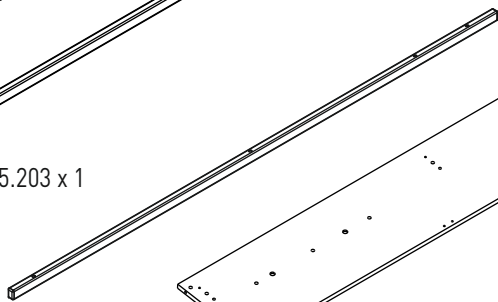
3/3



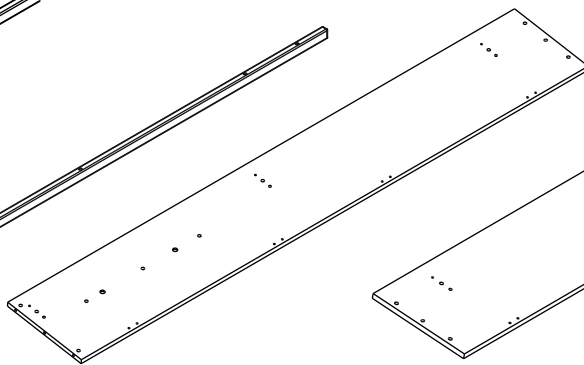
4/4



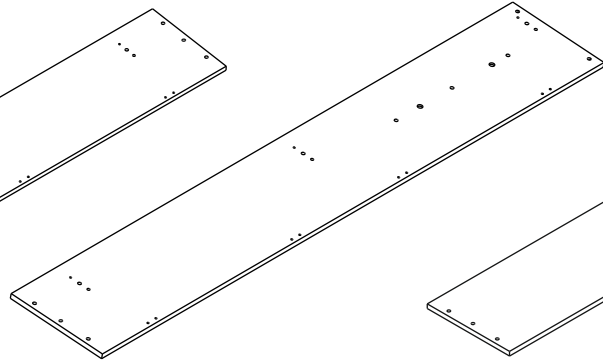
18.70.1705.203 x 1



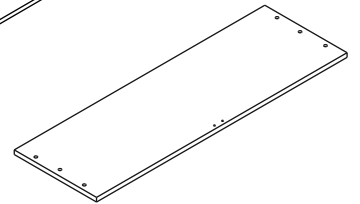
18.70.1705.202 x 2



18.70.1705.001 x 1

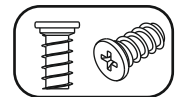
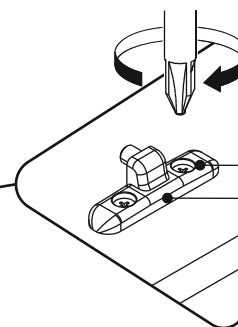
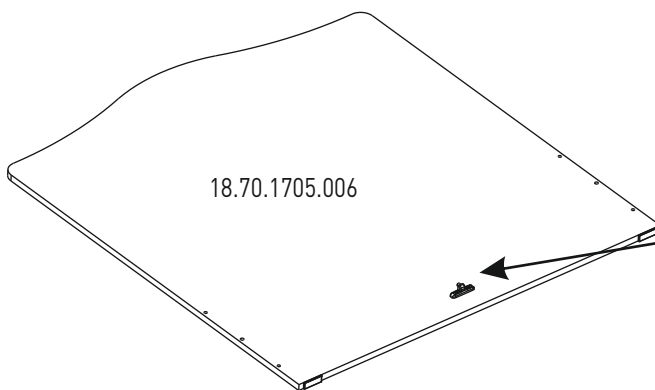


18.70.1705.002 x 1



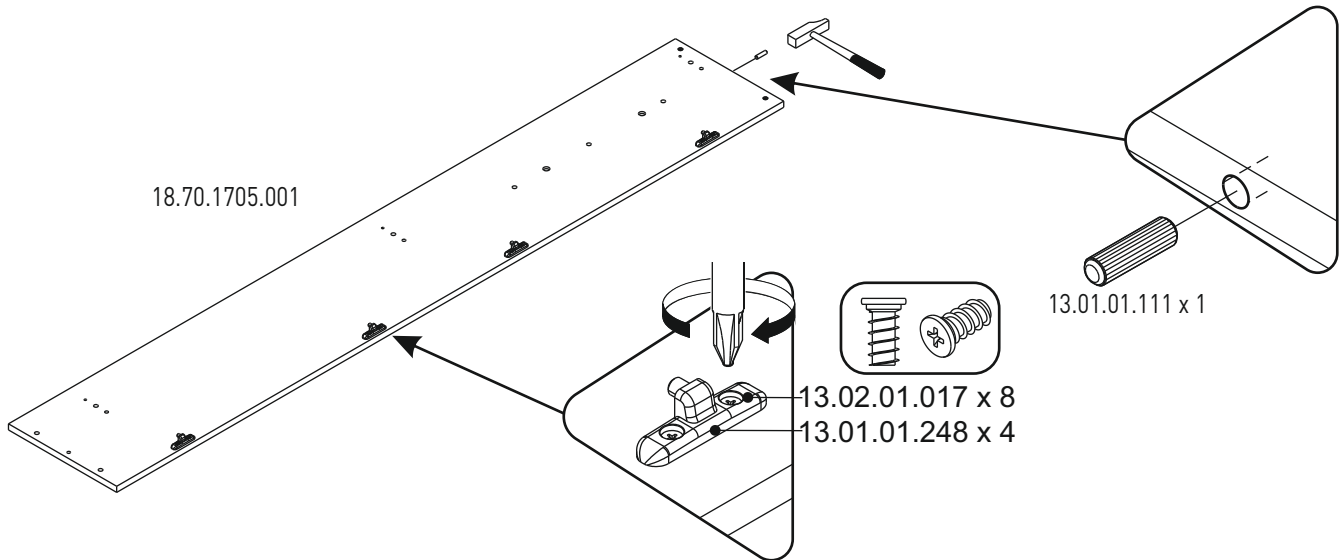
18.70.1705.003 x 1

1

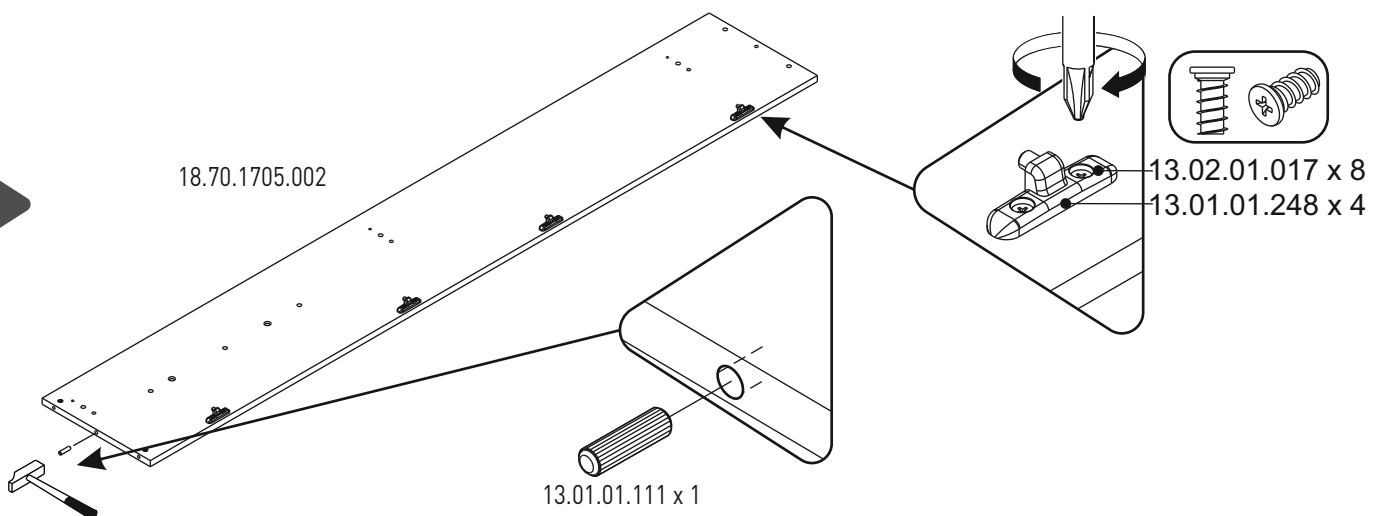


13.02.01.017 x 2
13.01.01.248 x 1

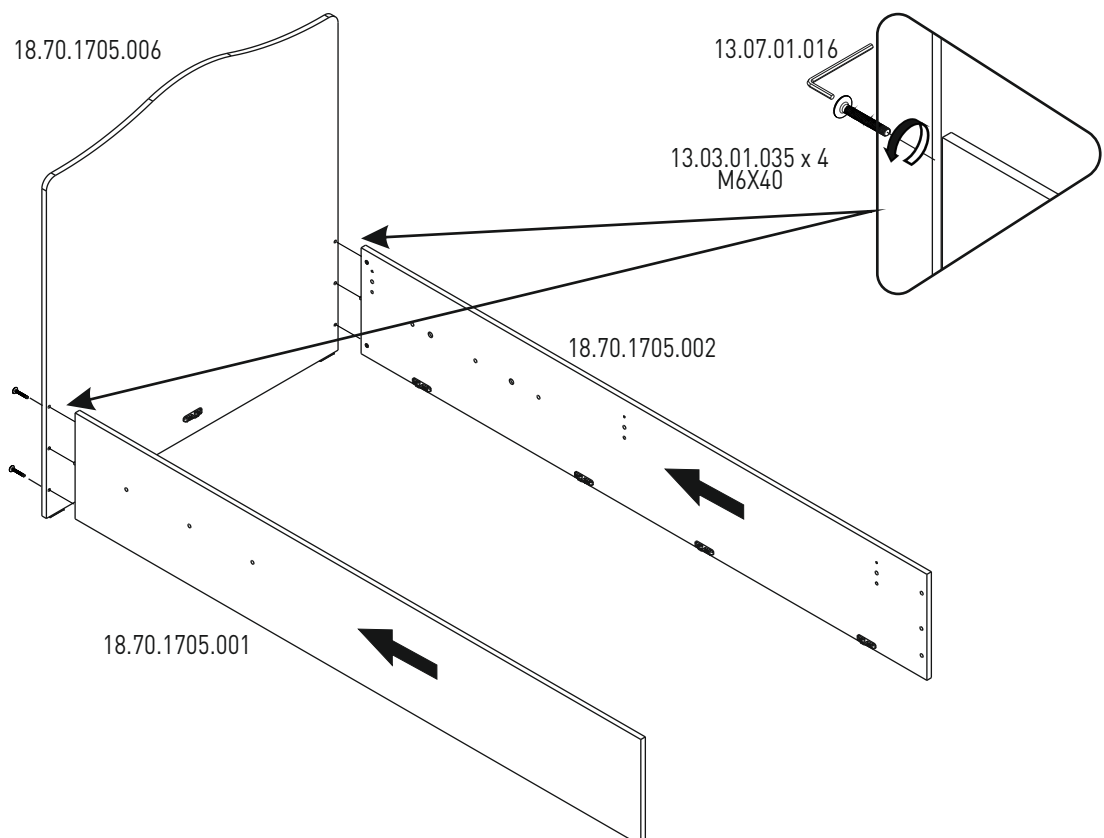
2



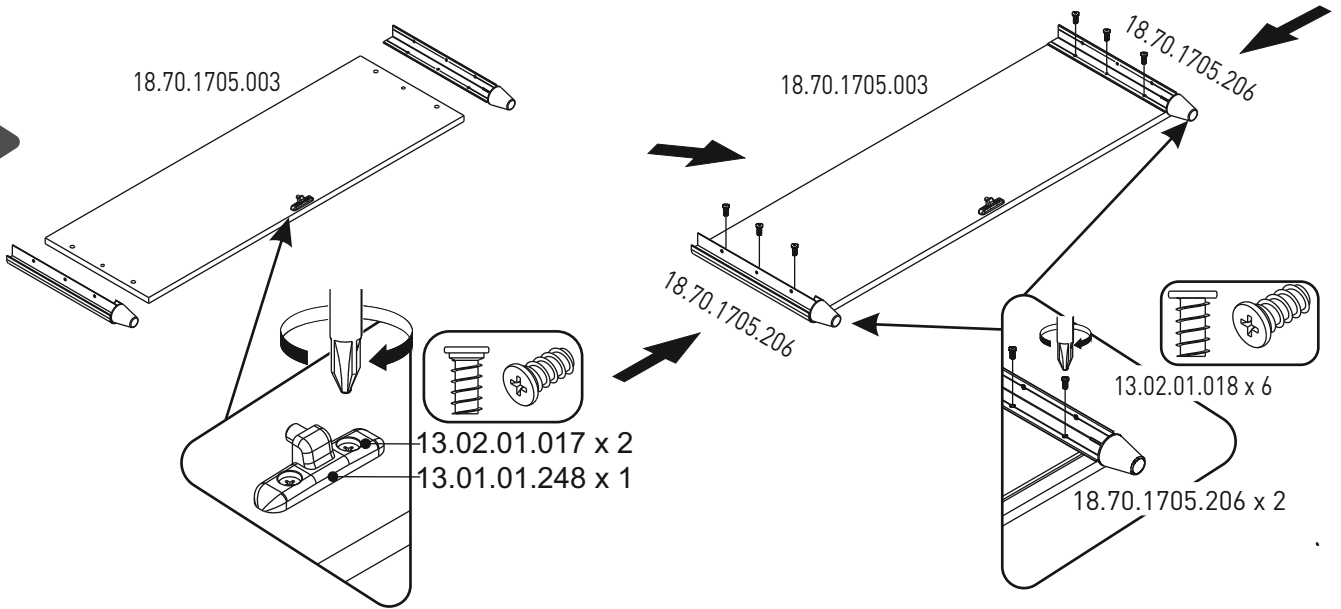
3



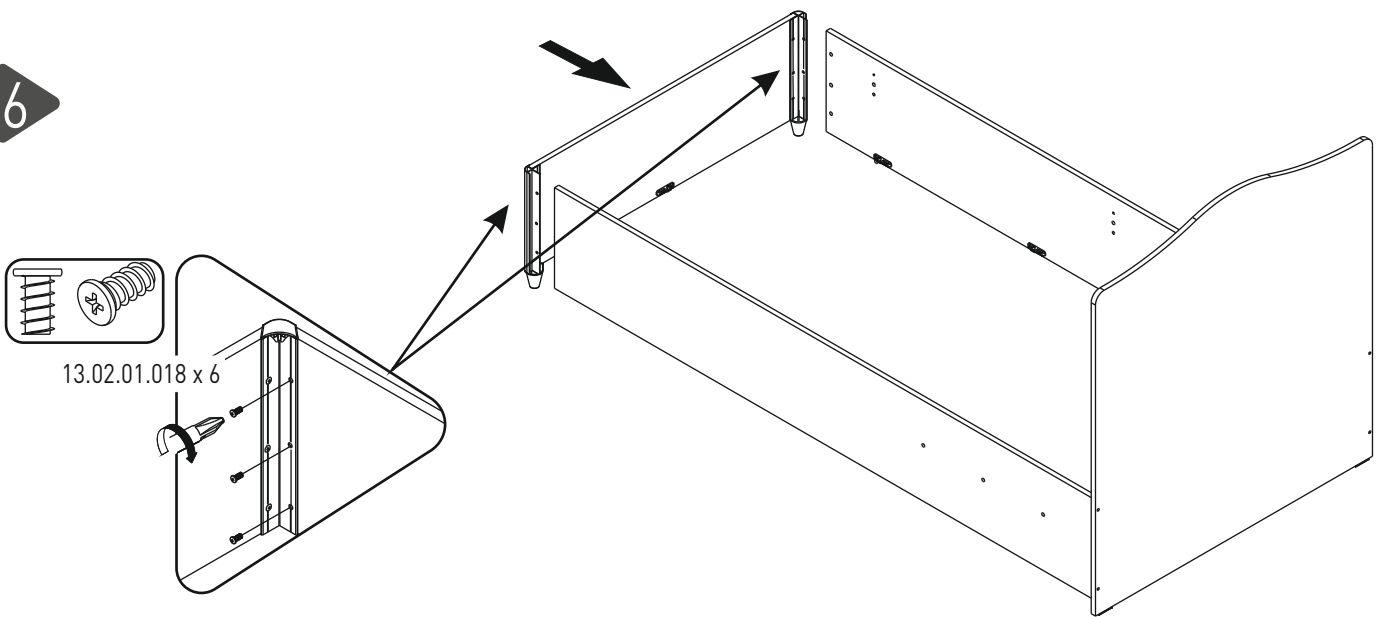
4



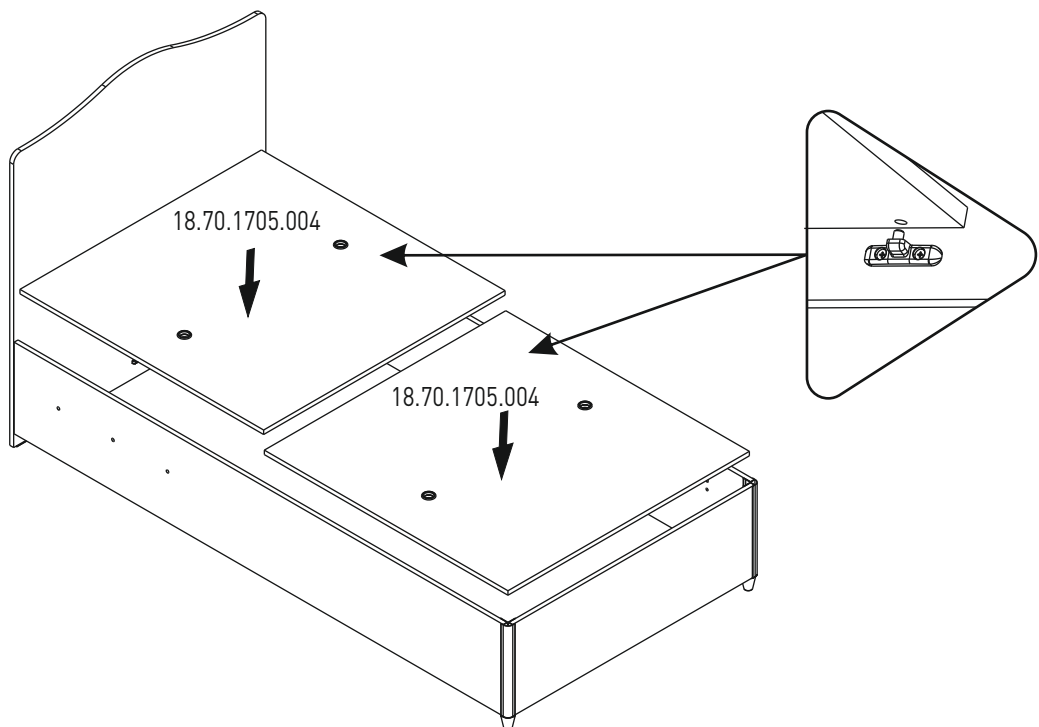
5



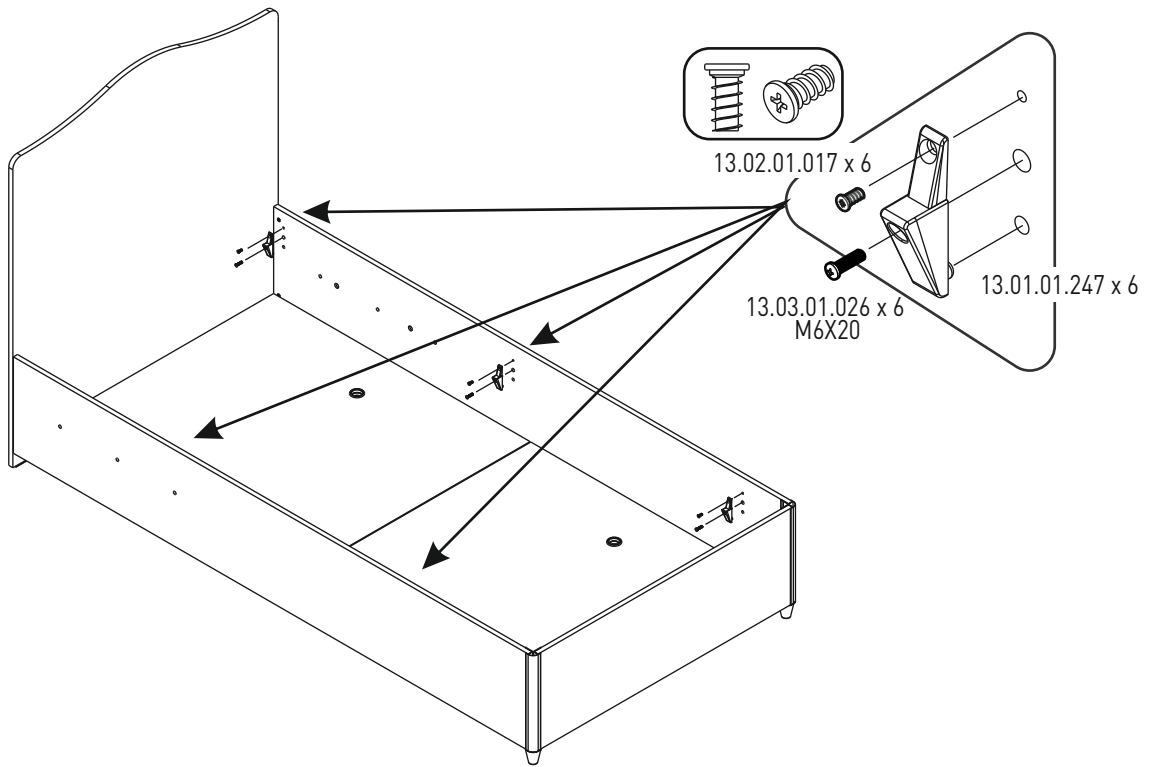
6



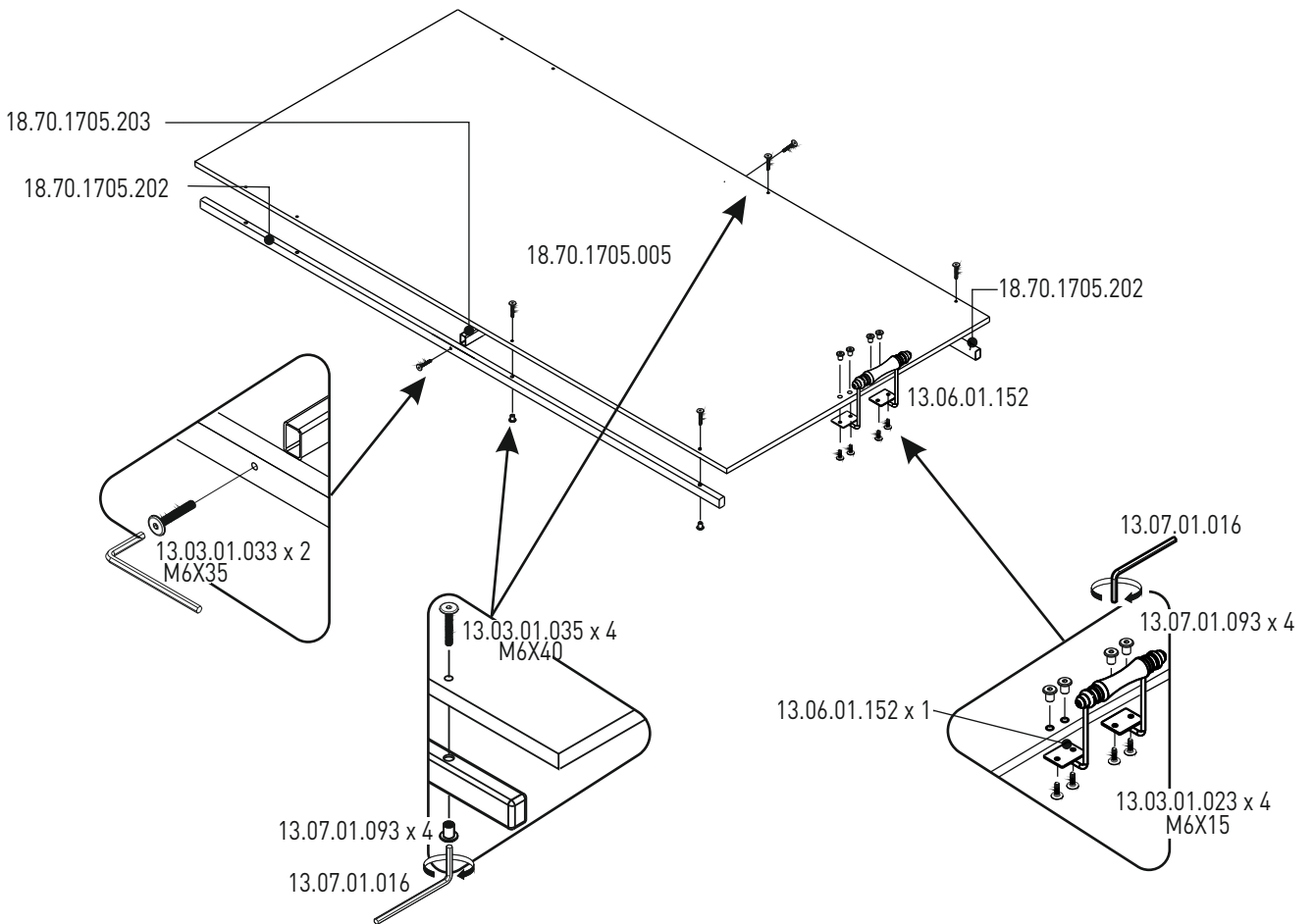
7



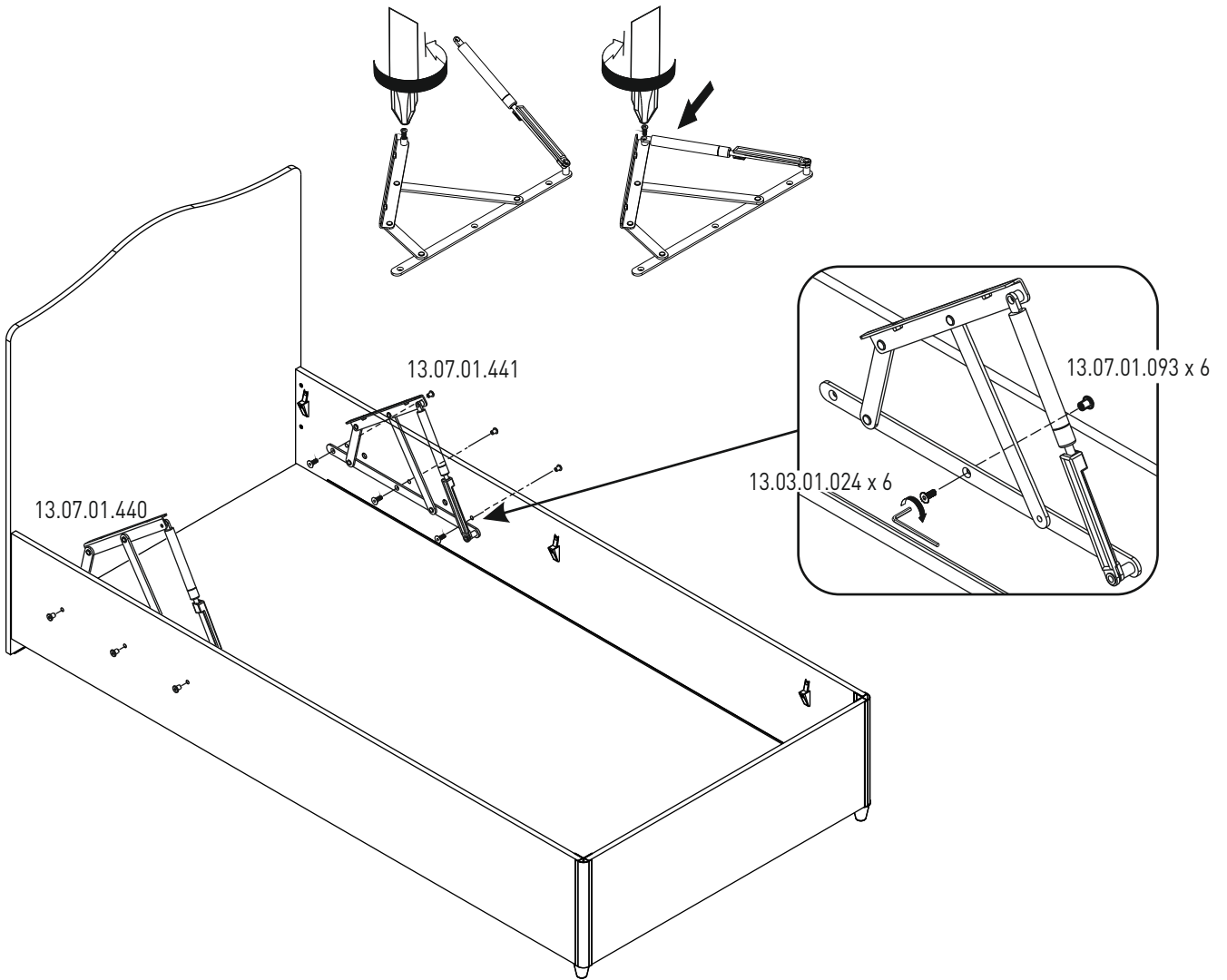
8



9



10



11

